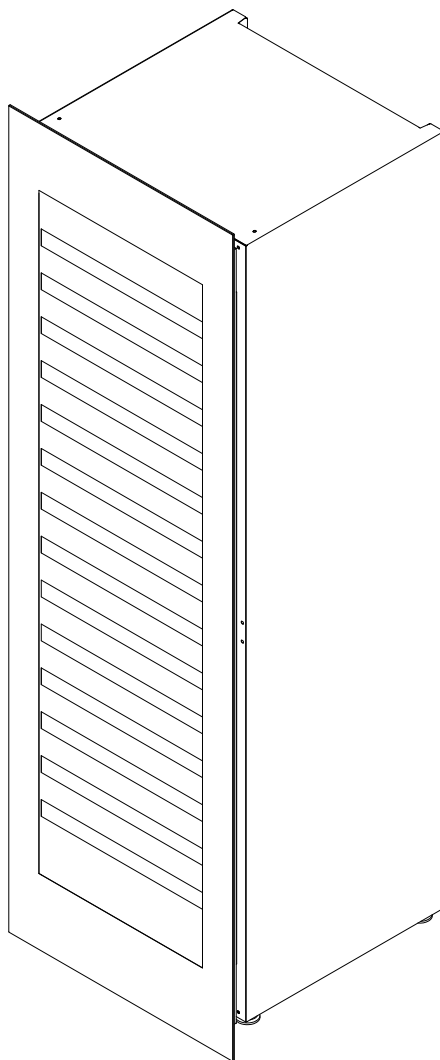


INSTRUCTION MANUAL



PI106S-B models

PI106D-B models

These wine coolers are exclusively integrable.

WWW.PEVINO.COM



THANKS FOR BUYING OUR WINE COOLER FROM PEVINO

BEFORE USE, PLEASE READ AND FOLLOW ALL SAFETY RULES AND OPERATING INSTRUCTIONS.

WARNING

The information in this document is subject to modification without any prior notice.

Some models are available in dedicated countries only.

IMPORTANT SAFETY INSTRUCTIONS

To reduce the risk of fire, electrical shock or damage when using your appliance, please follow these basic precautions.

To avoid damaging the door seal, ensure that the door is fully open when the shelves are pulled out onto the rails. The appliance must be positioned in such a way that the plug is accessible. Release the cord. Move your wine cooler to its final location. Don't move your wine cooler while it's full of wine.

If the cord is damaged, it must be replaced by the manufacturer or an authorized electrician.

This wine cooler is only intended for storing wine.

WARNING

NOT child friendly! Discarded or abandoned appliances may be dangerous for children and you should therefore dispose it safely after use.

Before you throw away your old wine cooler: Take the door off so children can't easily climb inside it. Never allow children to operate, play with, or climb into the appliance.

Never clean parts of the appliance with flammable liquids. The fumes may pose a risk of fire or explosion.

Do not store or use flammable liquids in the vicinity of this or other appliances. The fumes may pose a risk of fire or explosion.

SAVE THIS MANUAL FOR ANY LATER USE

BEFORE CONNECTING AND FILLING THE WINE COOLER

Before using your wine cooler

- Remove the outer and inner packaging.
- Before connecting the wine cooler to the power source, leave it vertically for approximately 6 hours. This will reduce the possibility of a malfunction in the cooling system.
- Clean the internal surfaces with a soft cloth and lukewarm water.
- When replacing the light source, select a light source that fits with the same socket, wattage and rated voltage as the existing light source. Turn off the power supply before changing the light source.

Installing your wine cooler


- Place your wine cooler on a floor or surface strong enough to carry it when fully loaded. Make sure that the wine cooler is fully in level by adjusting the legs below the bottom.
- Place the wine cooler away from direct sunlight and heat sources (wood burning stove, heater, radiator, etc.). Direct sunlight can affect the acrylic cover, and heat sources can increase electrical consumption.
- Extremely cold surrounding temperatures may also cause the device to not work properly.
- Do not place the unit in damp areas.
- Connect the wine cooler to a grounded outlet. Any question regarding electricity should be directed to a qualified electrician.

Be aware of the following:

- Store wine in closed bottles.
- Do not overload the cabinet.
- Do not open the door unless necessary.
- Do not cover shelves with aluminum foil or other shelf materials that may prevent air circulation.
- Should the wine cooler remain unused for extended periods of time, it is suggested, after careful cleaning, to leave the door ajar to allow the air to circulate inside the cabinet to avoid possible formations of dew, mold or odor.
- The included filter with activated charcoal (removes mould and odour strains) should be removed at least once a year and added for drying / venting and preferably in the sun.

WARNINGS:

For your safety observe the following recommendations.

- This appliance contains a small quantity of R600a refrigerant which is environmentally friendly, but flammable. It does not damage the ozone layer, nor does it increase the greenhouse effect.
 - During transportation and installation, ensure that the tubing of the refrigerant circuit is not damaged.
 - Avoid using or manipulating sharp objects near by the appliances.
 - Leaking refrigerant can ignite and may damage the eyes.
 - In the event any damage does occur, avoid exposure to open fires and any device which creates a spark. Disconnect the appliance from the mains power.
 - Thoroughly ventilate the room in which the appliance is located for several minutes.
 - Notify Customer Service for necessary action and advice.
 - The room for installing the appliance must be at least 1 cubic metre per 8 grams of refrigerant. The refrigerant quantity contained in this appliance is listed above in grams; it is also noted on the Rating Plate of the appliance.
 - To avoid a hazard due to instability of the appliance, it must be fixed in accordance with the instructions.
- The symbol  is a warning and indicates the refrigerant and insulation blowing gas are flammable.
- Risk of fire / flammable materials
 - Do not store explosive substances such as aerosol cans with a flammable propellant in this appliance.
 - When positioning the appliance, ensure the supply cord is not trapped or damaged.
 - Do not locate multiple portable socket-outlets or portable power supplies at the rear of the appliance.
 - The refrigerant and insulation blowing gas are flammable. When disposing of the appliance, do so only at an authorized waste disposal centre. Do not expose to flame.

It is hazardous for anyone other than an Authorised Service Person to carry out servicing or repairs to this appliance.

- Keep ventilation openings in the appliance enclosure or in the built-in structure clear of obstruction.
- Do not use mechanical devices or other means to accelerate the defrosting process, other than those recommended by the manufacturer.
- Do not damage the refrigerant circuit.
- Do not use electrical appliances inside the food storage compartments of the appliance, unless they are of the type recommended by the manufacturer.
- If you do not use the machine for a long time, please unplug the power plug from the socket or switch off the power supply.
- This appliance is not intended for use by persons (including children) with reduced Physical, sensory or mental capabilities, or lack of experience and knowledge, unless they have been given supervision or instruction concerning use of the appliance by a person responsible for their safety;
- Children should be supervised to ensure that they do not play with the appliance;
- Do not use extension cords or ungrounded (two prong) adapters;
- If the supply cord is damaged, it must be replaced by the manufacturer.

**INSTRUCTIONS FOR INSTALLING INTEGRATABLE WINE COOLERS:
*ONLY FRONT-VENTILATED WINE COOLERS.***

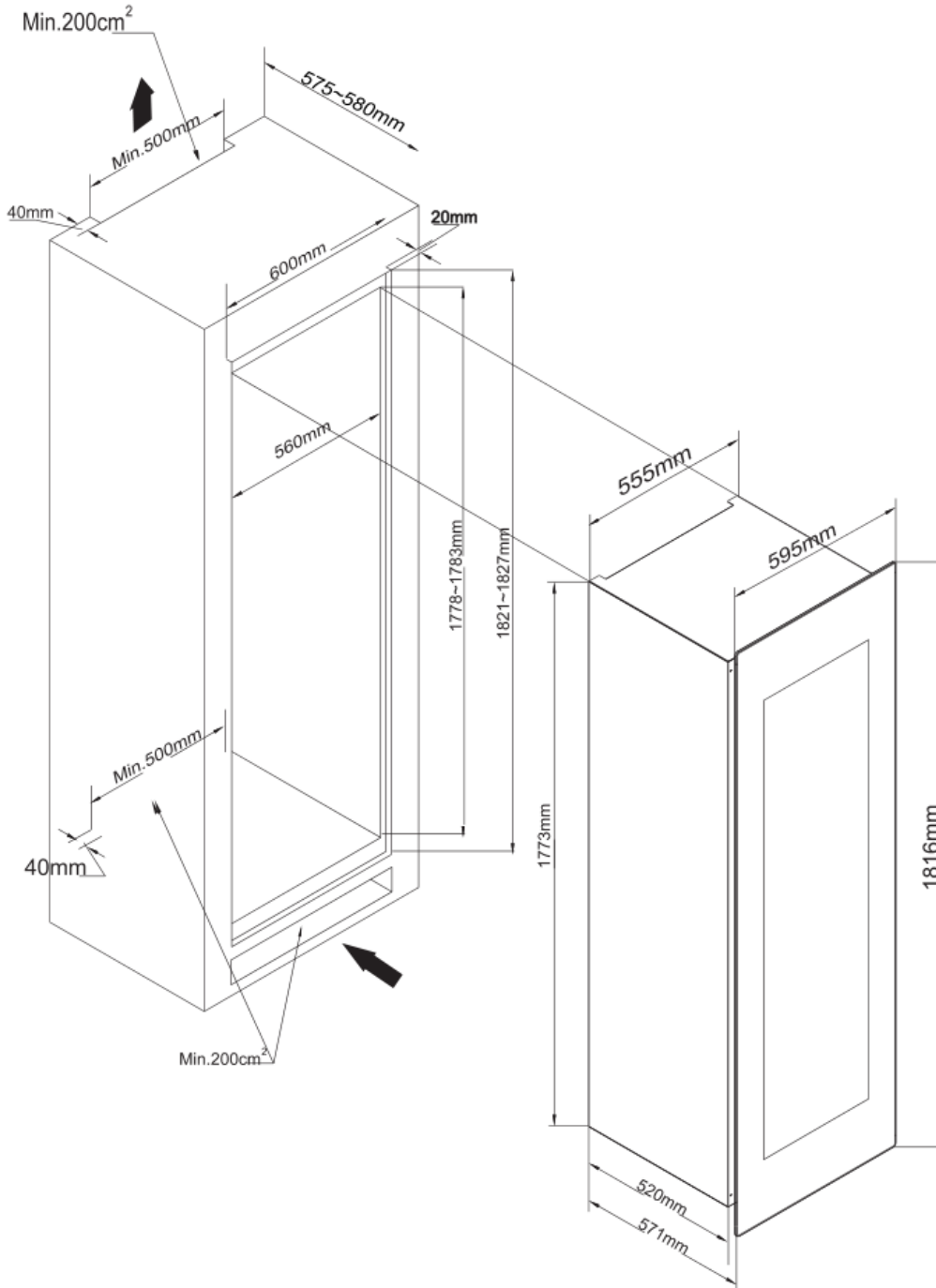
1. Integrable wine coolers are front ventilated and NOT built to be fully integrated behind a fixed external door (e.g. a cabinet door in a kitchen)
2. Follow the installation diagram when installing the wine cooler. Never go below the minimum dimension requirements.
3. The wine cooler draws air into the right side of the ventilation grate under the door and inflates on the left side in the same place.
4. The wine cooler has an power on/off control panel.
5. The wine cooler must be connected to standard 240 volts/10 A.
6. The cord is 200 cm long and connected on the right side at the back.
7. In hot climate zones, a ventilation duct or grill with a minimum ventilation size of 200 mm x 50 mm shall be cut out on the back of the housing or at the top of each side of the enclosure. This ensures the entry of fresh air into the 30 mm deep space at the back of the enclosure. This air vent or grille must not be open to the same side as other appliances such as ovens or the like. Also, do not open against an area that is without access to fresh, cool air.

REMEMBER: The wine cooler must be placed so that there is access to power outlets after installation.

INSTALLATION DRAWINGS

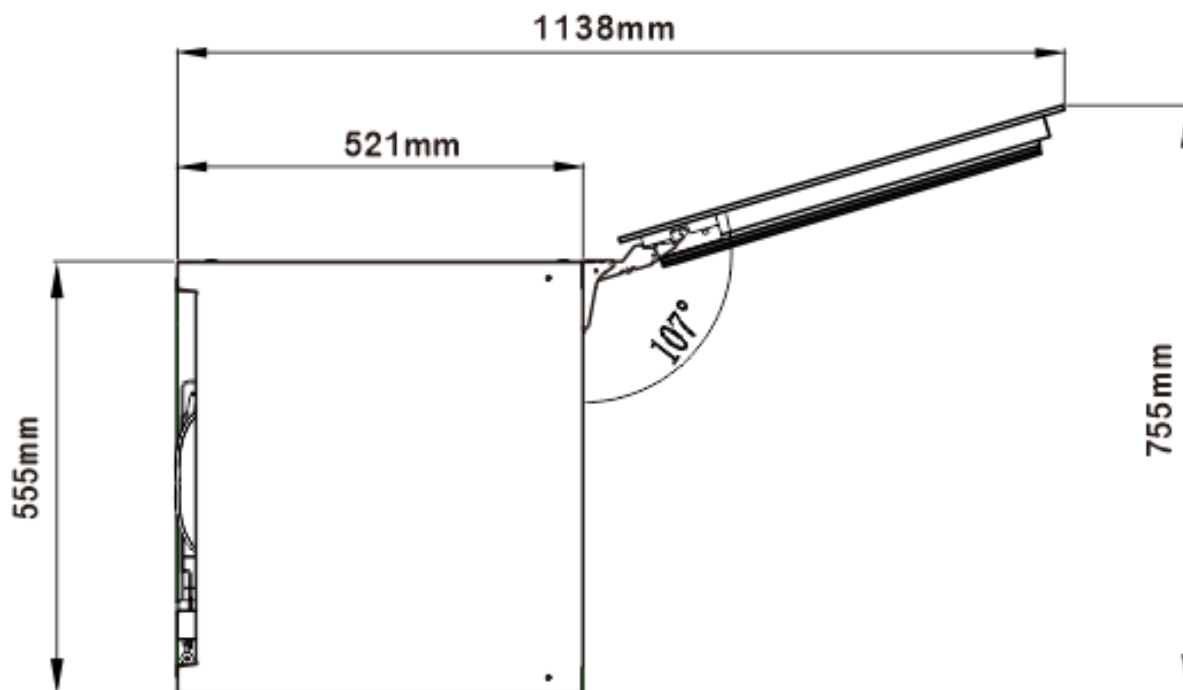
This is an integrated wine cooler that must be installed in a cabinet/cabinet. The enclosure must be with good ventilation conditions and without a back plate, otherwise it will affect the wine coolers ability to function normally. Follow the installation diagram.

PI106S-B , PI106D-B models



OPEN ANGLE SIZE DRAWINGS:

PI106S-B, PI106D-B models



TURNING ON YOUR WINE COOLER

Plug in and switch on the wine cooler by pressing on the power button **for a few seconds**.

When you use the wine cooler for the first time (or restart the wine cooler after having it shut off for a long time), there will be a few degrees variance between the temperature you have selected and the one indicated on the LED readout. This is normal and it is due to the length of the activation time. Once the wine cooler is running for a few hours everything will stabilize.

Important: If the unit is unplugged, power is lost, or turned off, wait 3 to 5 minutes before restarting the unit. The wine cooler will not start if you attempt to restart before this time delay.

OPERATING NOISES

To reach the desired temperature settings, our wine coolers, like all wine coolers operating with compressors and fans, may produce the following types of noises. These noises are normal and may occur as follows:

- Gurgling sound - caused by the refrigerant flowing through the appliances coils.
- Cracking/popping sounds - resulting from the contraction and expansion of the refrigerant gas to produce cold.
- Fan operating sound - to circulate the air within the wine cooler

FILLING THE WINE COOLER

You can pack your wine bottles in single or double rows, taking into account the following: if you don't have enough bottles to fill the wine cooler completely, it's better to distribute the bottles evenly throughout the wine cooler. You can remove or move the adjustable wooden shelves so that the cabinet can accommodate larger bottles or increase cabinet capacity by stacking the bottles if necessary. (See: Removing shelves) Keep small spaces between the interior walls and the bottles for the air to circulate. Like an underground (wine) cellar, air circulation is important to prevent mold and to ensure a more homogeneous temperature distribution throughout the basement.



Don't overload your wine cooler.

Avoid blocking the fans (located in the back of the wine cooler).

Do not pull the shelves out further than the fixed position due to the risk of losing the bottles.

Do not pull more than one fully loaded shelf at a time, as this may cause the wine cooler to tilt in the future.

Do not cover the shelves with aluminum foil or other materials as this will prevent air circulation.

Do not move your wine cooler while it is filled with bottles. This may distort the cabinet of the wine cooler.

AFTER THE FIRST REPLENISHMENT

Note that depending on the filling and selected settings, it takes about 24 hours for the temperature to stabilize in the wine cooler. During this time, the LED temperature display will appear to move irregularly. This is normal and occurs when the setting changes and/or when a large number of bottles are filled in the wine cooler.

TEMPERATURE SET-UP

Important: By default, the LED display indicates the actual air temperature inside the cabinet.

The circuit board on all models comes with memory function. All settings return to the preset temperature when the power is restored.

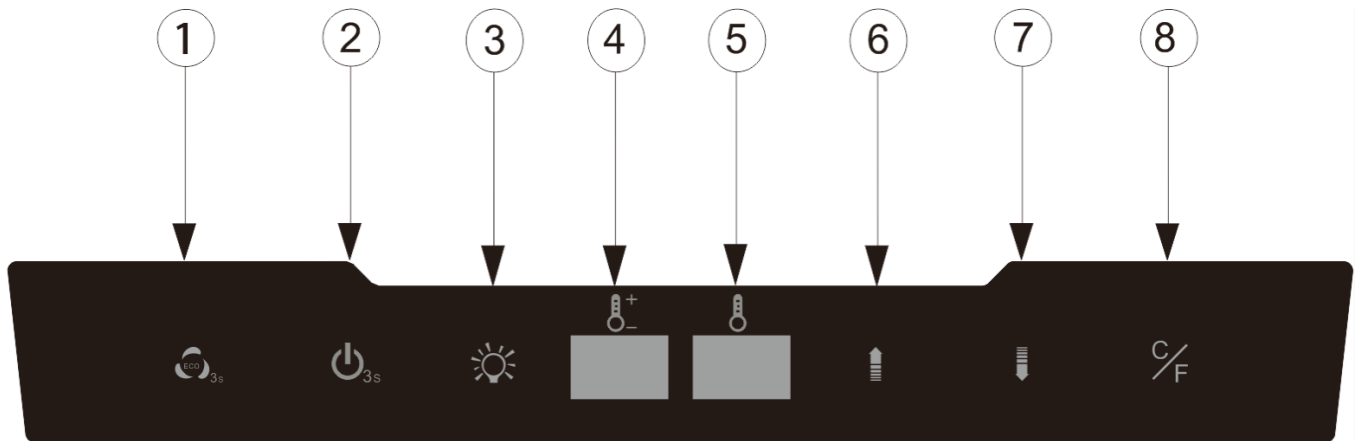
NOTE!

It is important to understand that there is a difference between the air temperature inside the wine cooler and the actual temperature of the wine.

When the temperature is set, it is strongly recommended to allow it to establish itself and not adjust it often. Expect to wait about 24 hours before noticing the effect of temperature adjustment due to the mass, volume and density of a full wine cooler.

The thermostat keeps the temperature inside the wine cooler within a range of +/- 2.5°C

SINGLE TEMPERATURE DISPLAY BOARD OPERATING INSTRUCTION:



From left to right:

➤ ① **Energy Saving Mode**

Press the button for 3 seconds into the energy-saving mode, press ⑥⑦ out of energy-saving mode

➤ ② **ON/OFF the power button:**

In the standby mode: press 3 seconds, the power is turned on, the whole machine starts

In the power-on state: press the power button, window 4 shows the countdown 3 2 1, the power is turned off, the machine is turned off (show 3 2 1 process, the hand cannot leave the button)

➤ ③ **Lamp button:**

Press the button, lights on / off switch

➤ ④ **Display Window:**

Displays the setting temperature

➤ ⑤ **Window:**

Displays the actual temperature

➤ ⑥ **Temperature setting up button :**

Press one time, window ④ the set value will increase 1 degree Celsius in the original setting temperature, the setting range according to customer requirements.

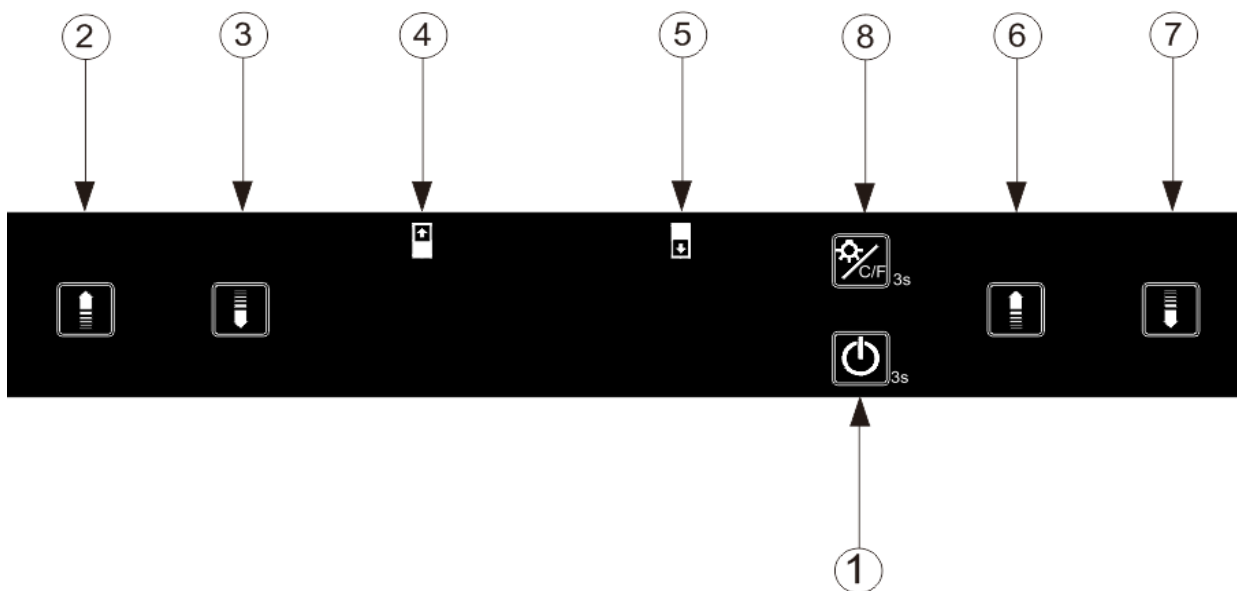
➤ ⑦ **Temperature setting down button :**

Press one time, window ④ the set value will reduce 1 degree Celsius in the original setting temperature, the setting range according to customer requirements

➤ ⑧ C/F display conversion function keys:

Set the conversion degrees Celsius / Fahrenheit display, each press this button, the display window will be into degrees Celsius or Fahrenheit.

DUAL TEMPERATURE DISPLAY BOARD OPERATING INSTRUCTION:



From left to right:

➤ ①  “ON/OFF” the power button :

Press the button 3 seconds to power off (Window ④ digital countdown displays 3, 2, 1,). Press again (without delay), the power turns on.

➤ ②  Upper zone temperature setting up button:






Press one time, window ④ the set value will increase 1 degree Celsius in the original setting temperature, the setting range according to customer requirements.

➤ ③  Upper zone temperature setting down button :

Press one time, window ④ the set value will reduce 1 degree Celsius in the original setting temperature, the setting range according to customer requirements.

➤ ④  Window :

Display upper zone temperature.

- **⑤  Window:**
Display lower zone temperature
- **⑥  Lower zone temperature setting up button:**
press one time, window **⑤** the set value will increase 1 degree Celsius in the original setting temperature, the setting range accordingly to customer requirements.
- **⑦  Lower zone temperature setting down button:**
press one time, window **⑤** the set value will reduce 1 degree Celsius in the original setting temperature, the setting range accordingly to customer requirements.
- **⑧  Lamp button:**
Press the button and the lamp turns on, the lamp will turn off once press again.
- **⑧  C/F display conversion function keys:**
Set the conversion degrees Celsius / Fahrenheit display, each press this button, the display window will be into degrees Celsius or Fahrenheit

IMPORTANT FOR STORAGE TEMPERATURE FOR WINE

Your wine cooler is designed to provide optimal conditions for storing and/or serving your wines. Good wines require long and stable development and need special conditions to reach their full potential.

All wines mature optimally at the same ideal temperature, which is a constant temperature between 12°C and 14°C. In other words, as long as the temperature of your wine cooler is constant (12°C - 14°C), your wines will be stored in perfect conditions.

Not all wines will improve over the years. Some should be enjoyed young (2 to 3 years), while others have enormous storage potential (50 years and longer). All wines have a optimal stage of maturity. Talk to your wine merchant for the best guide.

DEFROSTING/CONDENSATION/ HYGROMETRY/ VENTILATION

This wine cooler is designed with an "Auto-cycle" defrosting system. During "Off-cycle", the cooling surfaces of the wine cooler are automatically defrosted.

Defrosting/condensation from the storage compartment runs automatically and part of it goes into a drainage container located at the back of the wine cooler next to the compressor. The heat is transferred from the compressor and evaporates any condensation collected in the container.

The wine cooler is equipped with a double glass door that has a third inner acrylic layer to minimize condensation on the glass door. The wine cooler is not completely sealed; fresh air access is done through the drain pipe. Air is circulated through the cabinet using a fan and the slats of the shelves.

Note: During the cooling cycle, heat is emitted through the outer surfaces of the wine cooler. Avoid touching the surfaces during these cycles.

ADJUSTABLE WOODEN SHELVES

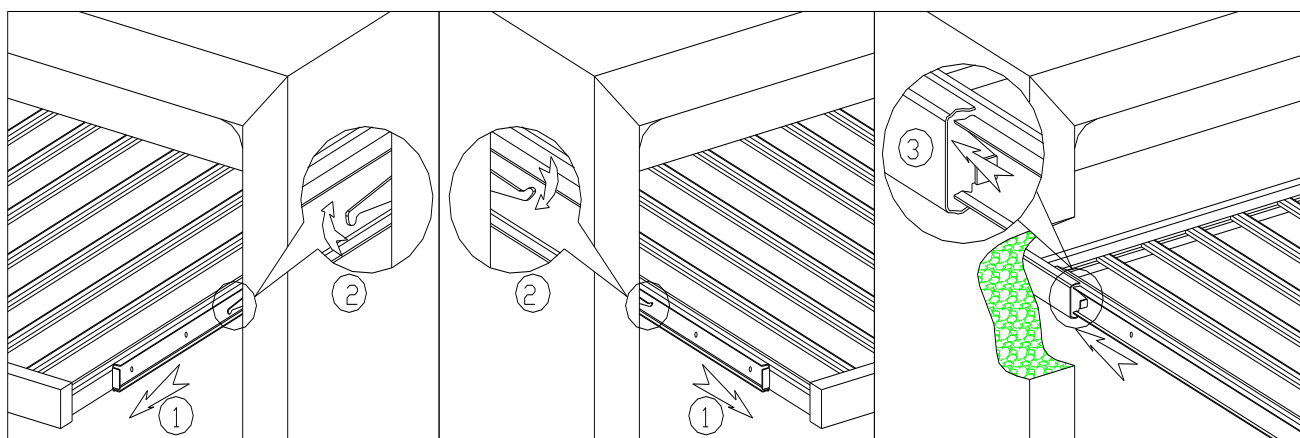
For easy access to the stored bottles, pull the shelves about 1/3 of the depth out of the rail. However, these wine coolers are designed with a notch on each side of the shelf rails to prevent bottles from tipping off.

When removing a shelf from the rail, tilt the shelf as shown in the diagram and simply pull out or put the shelves back in until it sits securely on the support brackets. To avoid damage to the door pack, make sure that the door is fully open when you pull out the shelves.

Application and removal of shelf:

Shelf disassembly: i.h. the drawing below, pull out the shelf ① press both sides of the slides simultaneously and pull out the shelf as with the arrows ②.

Shelf installation: in the following drawing place the shelf between the sliding bars and follow the arrows ③.



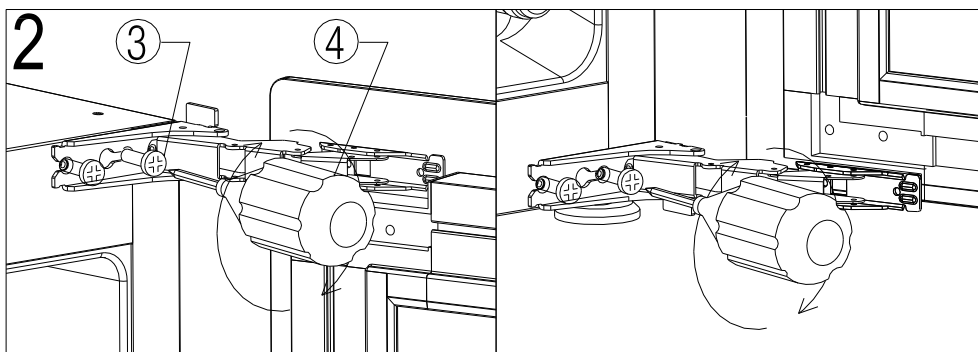
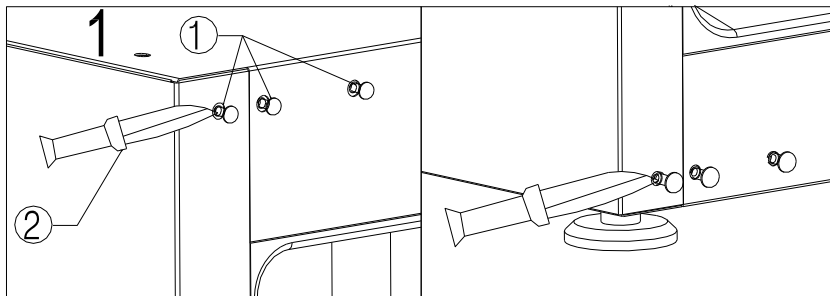
REVERSIBILITY OF THE DOOR

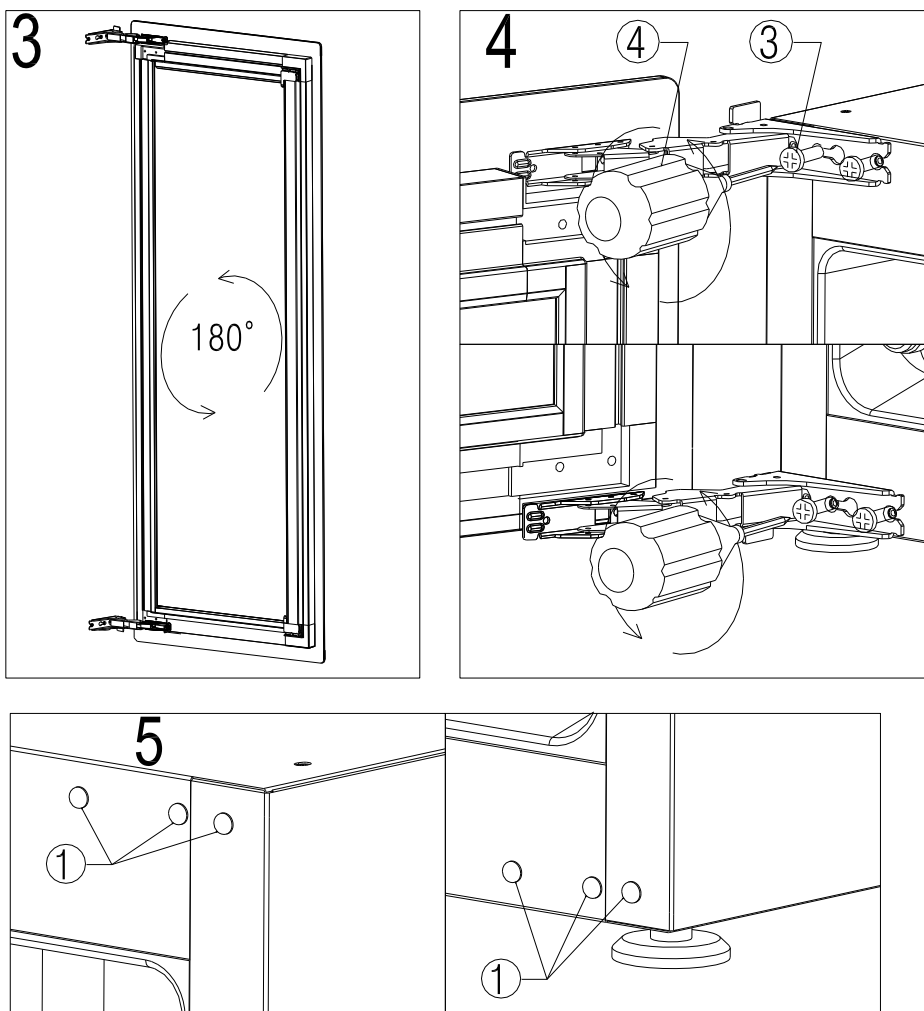
Warning: to avoid accidents when the door is turned, we suggest that 2 people be helped along, as the door may be heavy.

1. Open the door up to maximum
2. Use a small knife (2) to remove the decorative nail (1) from the left side of cabinet (Drawing 1)
3. Use a Phillips screwdriver (4) to remove the M5 screws (3) from the door hinge, and then discharge the glass door (Drawing 2)
4. Rotate the door 180 degrees, and then install the door on the other side of cabinet (Drawing 3 and 4)
5. At last, install the decorative nail (1) on the other side of cabinet (Drawing 5)

1. Decorative Nail 2. Knife

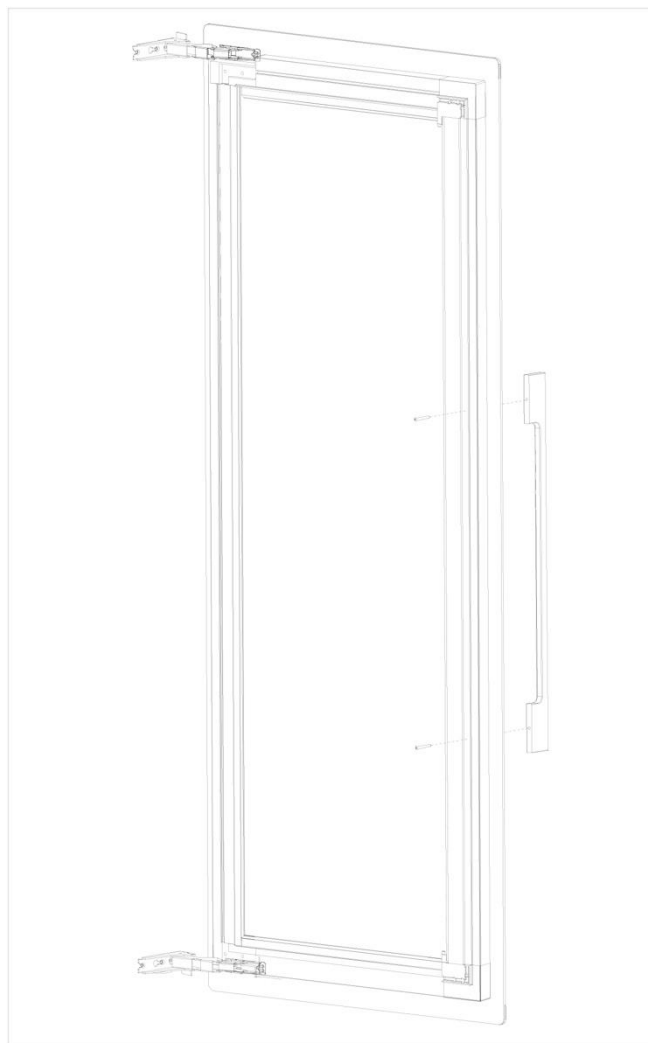
3. M5 Screws 4. Phillips Screwdriver





Handle Installation Method

1. Take out handle from cabinet, then take out 2pcs screws from accessory bag
2. Pull open door seal from the side of door, then insert screws into the 2 handle holes on side of door, then put the screws alignment the hole of handle, tighten the screws with a screwdriver, then compress the door seal



If the screws holes of the handle don't match perfectly with the holes of the door, please use an electric drill to drill the holes of the door a bit big (in surface side), in order to install the handle perfectly.

OPERATION ANOMALIES

Make sure that the power outlet is powered by connecting another electrical appliance. If possible, check the fuse. Make sure the door is closed correctly.

If your wine cooler appears to be defective, remove it from the plug and contact your point of sale. Any work on the cold circuit must be carried out by an authorized refrigeration professional who must carry out an inspection of the circuit seal. Similarly, any work on the electrical system must be carried out by a licensed electrician.

Note: *All work performed by unauthorized persons may result in the warranty being voided.*

POWER FAILURES

In the event of a power interruption, all previous temperature settings are automatically preservation and it will revert to a preset temperature setting. (See preset chart)

Most power failures are corrected within a short period of time. An hour or two's loss of power will not affect wine coolers temperatures. To avoid sudden change of temperature while the power is off, you should avoid opening the door. For longer period of power failure, do take steps to protect your wine.

Irrespective of the cause, if you notice either abnormal temperature or humidity levels inside your wine coolerr, be reassured that only long and frequent exposure to these abnormal conditions can cause a detrimental effect on your wines.

TROUBLESHOOTING GUIDE


Common problems may easily be solved, saving you the cost of a possible service call. Please read carefully the instruction manual and revert to troubleshooting guide chart.

PROBLEM	POSSIBLE CAUSE
Wine cooler does not operate.	Not plugged in. The appliance is turned off. The circuit breaker tripped or the fuse is broken.
Wine cooler is not cold enough.	Check the temperature control setting. External environment may require a higher setting. The door is opened too often. The door is not closed completely. The door gasket does not seal properly.
Turns on and off frequently.	The room temperature is hotter than normal. A large amount of contents has been added to the wine cooler. The door is opened too often. The door is not closed completely. The temperature control is not set correctly. The door gasket does not seal properly.
The light does not work.	Not plugged in. The circuit breaker tripped or a blown fuse. The bulb is out of order. The light button is "OFF".
Vibrations.	Check to assure that the wine cooler is level.
The wine cooler seems to make too much noise.	The rattling noise may come from the flow of the refrigerant, which is normal. As each cycle ends, you may hear gurgling sounds caused by the flow of refrigerant in your wine cooler. Contraction and expansion of the inside walls may cause popping and crackling noises. The wine cooler is not level.
The door will not close properly.	The wine cooler is not level. The door was reversed and not properly installed. The gasket is faulty. (magnet or rubber is spoiled) The shelves are out of position.

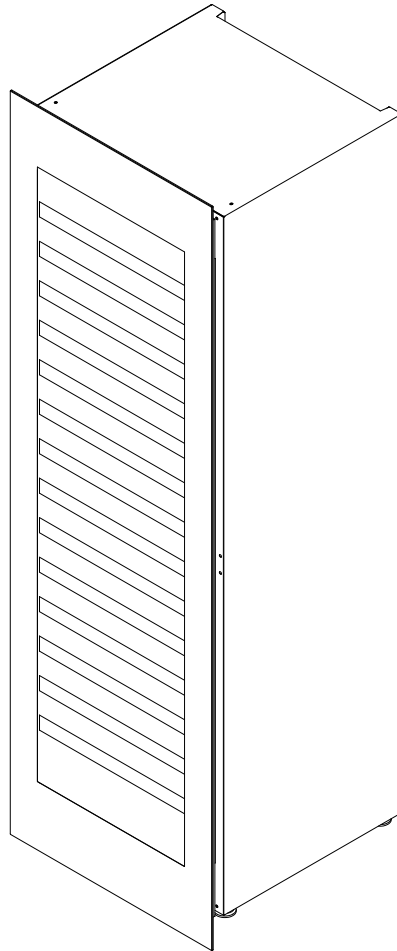
Standard features:
Compressor operated: R600a or R134a
- Available in rated voltage/frequency (as per country' requirements): 100V/50/60Hz, 220V/50/60Hz,115V/50Hz
- Automatic defrost
- Humidity: 65% RH +/-10% RH
- Black outer and inner finish
- Internal light
- Adjustable feet x 4
- Optional Two or Triple layers glass door
- Optional Common or Seamless stainless steel finish door frame or Full black glass door

Before disposal of the appliance.

1. Disconnect the main plug from the main socket.
2. Cut off the main cable and discard it

Correct disposal of this product	
	<p>This symbol on the product, or in its packaging, indicates that this product may not be treated as household waste. Instead, it should be taken to the appropriate waste collection point for the recycling of electrical and electronic equipment. By ensuring this product is disposed of correctly, you will help prevent potential negative consequences for the environment and human health, which could otherwise be caused by the inappropriate waste handling of this product. For more detailed information about the recycling of this product, please contact your local council, your household waste disposal service, or the shop where you purchased the product.</p>

VINKØLESKAB BRUGSANVISNING



PI106S-B modeller

PI106D-B modeller

Disse vinkøleskabe er udelukkende integrerbare.

WWW.PEVINO.COM

TAK FOR DIT KØB AF ET VINKØLESKAB FRA PEVINO.

**VENLIGST LÆS OG FØLG ALLE SIKKERHEDSREGLER OG
BETJENINGSINSTRUKTIONER FØR BRUG.**

BEMÆRK

Ændringer i dette dokument kan ske uden forudgående varsel.

VIGTIGE SIKKERHEDSINSTRUKSER

For at mindske risikoen for brand, elektrisk chok eller skader, når du bruger dit apparat, bedes du følge disse basale forholdsregler.

For at undgå at skade dørtætningen skal du sikre, at døren er helt åben, når hylderne trækkes ud på skinnerne. Apparatet skal være placeret således, at stikket er tilgængeligt. Frigør ledningen. Flyt dit skab til dets endelige placering. Flyt ikke dit skab, mens det er fyldt med vin.

Hvis ledningen er beskadiget, skal den udskiftes af producenten eller en autoriseret elinstallatør.

Dette vinkøleskab er kun beregnet til opbevaring af vin.

ADVARSEL

IKKE børnevenligt! Kasserede eller efterladte apparater kan være farlige for børn, og du bør derfor bortskaffe det forsvarligt efter endt brug.

Før du smider dit gamle vinkøleskab væk: Tag døren af, så børn ikke nemt kan klatre inde i det. Tillad aldrig børn at betjene, lege med, eller kravle ind i apparatet.

Rengør aldrig dele af apparatet med brændbare væsker. Dampene kan udgøre en brand- eller eksplosionsrisiko.

Opbevar eller brug ikke brændbare væsker i nærheden af dette eller andre apparater. Dampene kan udgøre en brand- eller eksplosionsrisiko.

GEM DENNE MANUAL TIL EVENTUELT SENERE BRUG

INDEN TILSLUTNING OG OPFYLDNING AF VINKØLESKABET

Før du bruger dit vinkøleskab

- Fjern den ydre og indre emballage.
- Før du tilslutter vinkøleskabet til strømkilden, skal du lade det stå lodret i cirka 12-24 timer. Dette vil reducere muligheden for en funktionsfejl i kølesystemet.
- Rengør de indre overflader med en blød klud og lunkent vand.
- Ved udskiftning af lyskilden, vælg en lyskilde som passer med samme fatning, watt og mærkespænding som den eksisterende lyskilde. Sluk strømforsyningen, før du skifter lyskilden.

Installation af dit vinkøleskab


- Placér dit vinkøleskab på et gulv eller overflade, der er stærkt nok til at bære det, når det er fuldt læsset. Sørg for at vinkøleskabet står helt i vater, ved at justere benene under bunden.
- Placér vinkøleskabet væk fra direkte sollys og varmekilder (brændeovn, varmeapparat, radiator, osv.). Direkte sollys kan påvirke akrylovertrækket, og varmekilder kan forøge det elektriske forbrug.
- Ekstremt kolde omkringliggende temperaturer kan også forårsage, at enheden ikke virker ordentligt.
- Undgå at placere enheden i fugtige områder.
- Tilslut vinkøleskabet til en stikkontakt med jordforbindelse. Ethvert spørgsmål angående el bør rettes til en autoriseret elinstallatør.

Vær opmærksom på følgende:

- Opbevar vin i lukkede flasker.
- Overbelast ikke skabet.
- Åbn ikke døren, medmindre det er nødvendigt.
- Tildæk ikke hylder med aluminiumfolie eller andre hylde materialer, som kan forhindre luftcirkulation.
- Skulle vinkøleskabet stå ubrugt i længere perioder, foreslås det, efter en grundig rengøring, at lade døren stå på klem for at lade luften cirkulere indeni skabet for at undgå mulige dannelser af dug, mug eller lugt.
- Det medfølgende filter med aktivt kul (fjerner mug- og lugtgener), bør afmonteres mindst en gang om året og lægges til tørring / udluftning og gerne i solen.

ADVARSLER:

Overhold følgende anbefalinger for din egen sikkerhed.

- Dette apparat indeholder en lille mængde R600a-kølemiddel, som er miljøvenligt, men brandfarligt. Det skader ikke ozonlaget, og det øger heller ikke drivhuseffekten.
- Under transport og installation skal du sørge for, at slangen i kølemiddelkredsløbet ikke beskadiges.
- Undgå at bruge skarpe genstande i nærheden af apparaterne.
- Utæt kølemiddel kan antændes og kan beskadige øjnene.
- Hvis der opstår skader, skal du undgå at blive udsat for åben ild. Tag apparatet ud af stikkontakten.
- Apparatet skal være mindst 1 kubikmeter pr. 8 gram kølemiddel. Kølemiddelmængden i dette apparat er anført ovenfor i gram. Det er også noteret på apparatets mærkeplade.
- For at undgå fare på grund af ustabilitet i apparatet skal det fastgøres i overensstemmelse med instruktionerne.
- Symbolet  er en advarsel og angiver, at kølemidlet og isoleringsgassen er brandfarligt.
- Risiko for brand/brændbare materialer
- Opbevar ikke eksplosive stoffer såsom aerosoldåser med et brændbart drivmiddel i dette apparat.
- Når vinkøleskabet placeres, skal du sørge for, at ledningen ikke er fanget eller beskadiget.
- Der må ikke lokaliseres flere bærbare stikkontakter eller bærbare strømforsyninger bag på apparatet.
- Kølemidlet og isoleringsblæsegassen er brandfarlige. Når apparatet bortskaffes, må det kun anvendes på en autoriseret losseplads. Må ikke udsættes for flammer.

Det er farligt for andre end autoriseret service at udføre service eller reparationer på dette apparat.

- Hold ventilationsåbningerne i apparatets kabinet eller i den indbyggede konstruktion fri for obstruktion.
- Brug ikke mekaniske eller andre midler til at fremskynde afrimningsprocessen, bortset fra dem, der anbefales af producenten.
- Kølemiddelkredsløbet må ikke beskadiges.
- Brug ikke elektriske apparater i apparatets opbevaringsrum, medmindre de er af den type, som producenten anbefaler.
- Hvis du ikke bruger maskinen i længere tid, skal du tage stikket ud af stikkontakten eller slukke for strømforsyningen.
- Dette apparat er ikke beregnet til at blive anvendt af personer (herunder børn) med reduceret fysisk, sensorisk eller mental kapacitet eller mangel på erfaring og viden, medmindre de holdes under opsyn eller har fået instruktion i brug af apparatet af en ansvarlig person
- Børn skal være under opsyn for at sikre, at de ikke leger med apparatet;
- Brug ikke forlængerledninger eller ikke-afrundede (to gren) adaptere;
- Hvis forsyningsledningen er beskadiget, skal den udskiftes af producenten,

INSTRUKSER FOR INSTALLERING AF INTEGRERBARE VINKØLESKABE: *UDELUKKENDE FRONTVENTILEREDE VINKØLESKABE.*

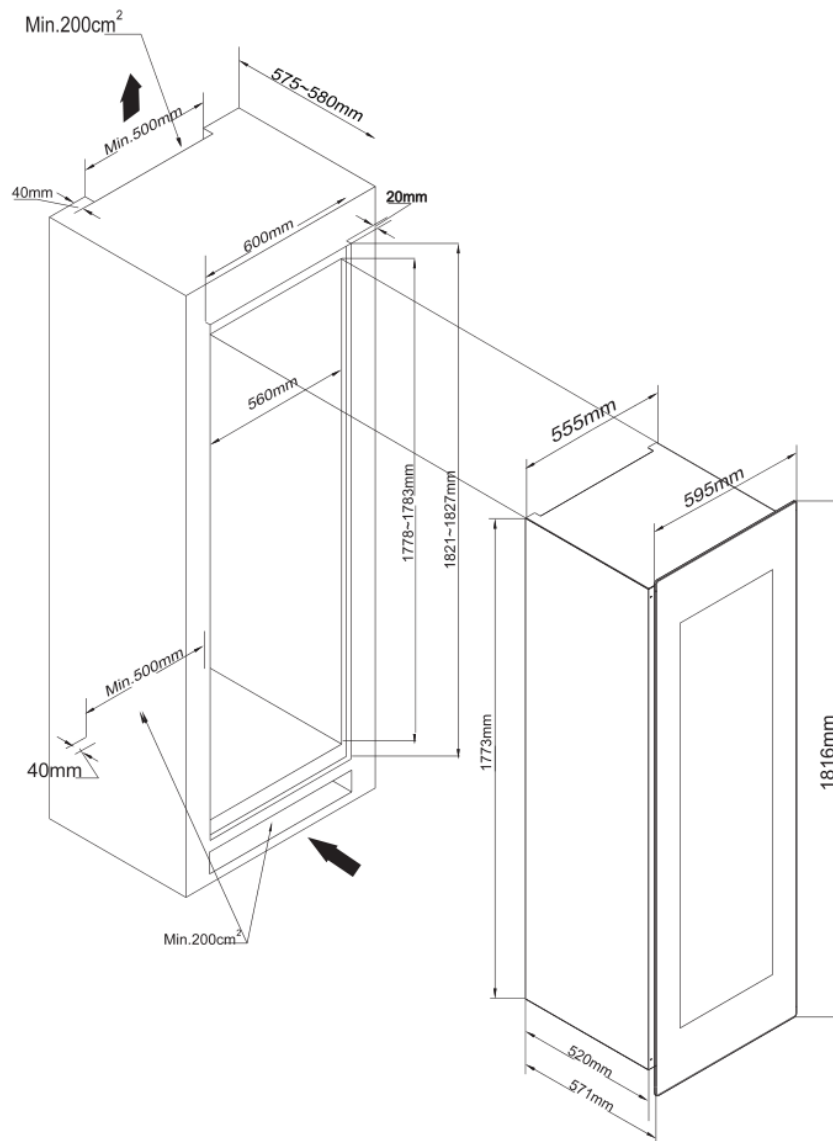
1. Integrerbare vinkøleskabe er frontventilerede, og IKKE byggede til at blive fuldt integrerede bag en fast ekstern låge (f.eks. en skabslåge i et køkken)
2. Følg installationsdiagrammet når vinkøleskabet skal installeres. Gå aldrig under minimumskravene for dimensioner.
3. Vinkøleskabet trækker luft ind i højre side af ventilationsristen under døren og puster ud i venstre side samme sted.
4. Vinkøleskabet har en tænd/sluk knap på kontrolpanelet (Power on/off).
5. Vinkøleskabet skal tilsluttes standard 240 volt/10 A.
6. Ledningen er 200 cm. lang og tilsluttet i højre side bagpå.
7. I varme klimazoner skal en udluftningskanal eller et gitter med en minimumsventilationsstørrelse på 200 mm x 50 mm skæres ud på bagsiden af kabinettet eller øverst i hver side af kabinettet. Dette sikrer tilgang af frisk luft ind til det 30 mm dybe mellemrum bag på kabinettet. Denne luftudluftning eller gitter må ikke være åben mod samme side som andre apparater som ovne eller lignende. Der må heller ikke åbnes mod et område, der er uden adgang til frisk, kølig luft.

HUSK: Vinkøleskabet skal placeres så der er adgang til strømudtag efter installeringen.

INSTALLATIONSDIAGRAMMER

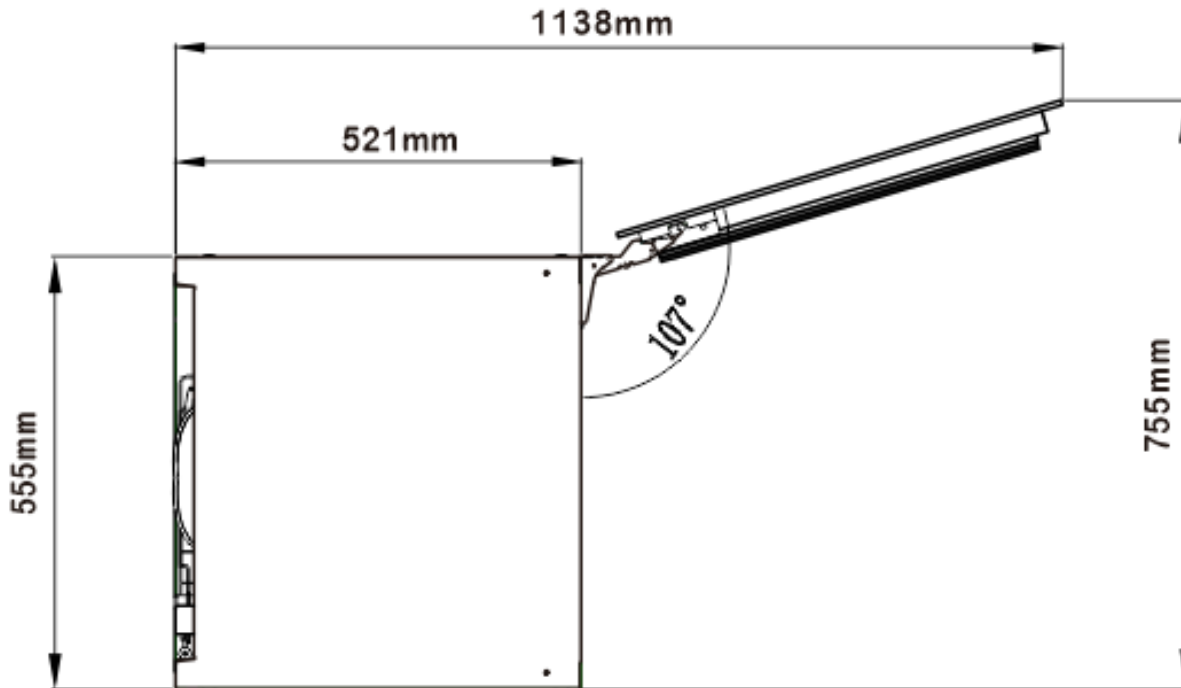
Dette er et integrerbart vinkøleskab, der skal installeres i et skab/kabinet. Kabinettet skal være med gode ventilationsforhold og uden bagplade, ellers vil det påvirke vinkøleskabets evne til at fungere normalt. Følg installationsdiagrammet.

PI106S-B, PI106D-B modeller



DØRÅBNING - VINKEL OG DIMENSIONER

PI106S-B, PI106D-B modeller



OPSTART AF VINKØLESKABET

Tilslut og tænd for enheden ved at trykke på tænd/sluk-knappen nogle få sekunder.

Når du bruger vinkøleskabet for første gang (eller genstarter vinkøleskabet efter at have været slukket i lang tid), vil der være en få graders varians mellem den valgte temperatur og den, der er angivet på LED displayet. Dette er normalt, og det skyldes længden af aktiveringstiden. Når vinkøleskabet har kørt et par timer, vil alt stabilisere sig.

Vigtigt: Hvis vinkøleskabet har været slukket, frakoblet eller strømmen har været gået, vent 3 - 5 minutter, inden du genstarter det. Vinkøleskabet starter ikke, hvis du forsøger at genstarte før denne forsinkelse.

DRIFTSSTØJ

For at opnå de ønskede temperaturindstillinger kan dette vinkøleskab, som alle vinkøleskabe, der kører med kompressorer og ventilatorer, producere følgende typer lyde.

Lyde er normale og kan forekomme som følger:

Klukkende og hvæsende lyd - forårsaget af kølemidlet, der strømmer gennem systemets rør og dyser.

Knirkende/smældende lyde - sker som følge af sammentrækning og udvidelse af kølemiddelgassen for at producere kulde.

Blæsende lyd - blæsere sørger for at luften cirkulerer inde i vinkøleskabet.

OPFYLDNING AF VINKØLESKABET

Du kan pakke dine vinflasker i enkelt- eller dobbeltrækker, mens du tager følgende i betragtning: Hvis du ikke har nok flasker til at fylde vinkøleskabet helt, er det bedre at fordele flaskerne jævnt i hele vinkøleskabet. Du kan fjerne eller flytte de justerbare træhylder så skabet kan rumme større flasker eller forøge kabinetets kapacitet ved at stable flaskerne, hvis det er nødvendigt. (Se: Fjernelse af hylder)

Hold små mellemrum mellem de indvendige vægge og flaskerne for at luften kan cirkulere. Lige som en underjordisk (vin)kælder er luftcirkulationen vigtig for at forhindre skimmelsvamp og for at sikre en mere homogen temperaturfordeling i hele kælderen.



Overbelast ikke dit vinkøleskab.

Undgå at spærre ventilatorerne (placeret inde bagerst i vinkøleskabet).

Undgå at trække hylderne længere ud end den faste stilling på grund af risiko for, at tabe flaskerne.

Træk ikke mere end en fuldt lastet hylde ad gangen, da dette kan få vinkøleskabet til at vippe fremover.

Tildæk ikke hylderne med aluminiumsfolie eller andre materialer, da det vil forhindre luftcirkulationen.

Flyt ikke dit vinkøleskab, mens det er fyldt med flasker. Dette kan forvride vinkøleskabets kabinet.

Efter den første opfyldning

Bemærk, at afhængigt af opfyldning og valgte indstillinger tager det omkring 24 timer for at temperaturen stabiliserer sig i vinkøleskabet. I løbet af denne tid vil LED-temperaturvisningen se ud til at bevæge sig uregelmæssigt. Dette er normalt, og det sker, når indstillingen ændres og/eller når der fyldes et stort antal flasker i vinkøleskabet.

INDSTILLING AF TEMPERATUR

Vigtigt: LED-displayet angiver som standard den faktiske lufttemperatur inde i skabet.

Printkortet på alle modeller kommer med hukommelsesfunktion. Alle indstillinger vender tilbage til den forindstillede temperatur, når strømmen er genoprettet.

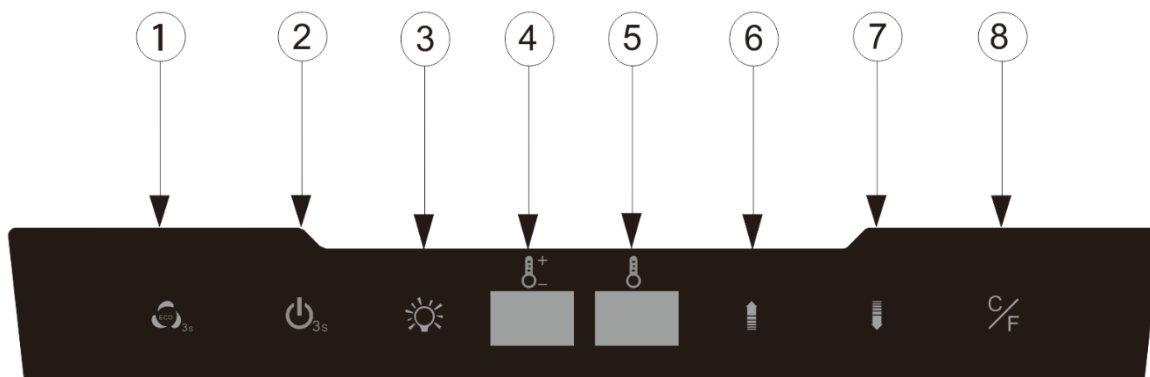
BEMÆRK!

Det er vigtigt at forstå, at der er en forskel mellem lufttemperaturen inde i vinkøleskabet og vinens faktiske temperatur.









Når temperaturen er indstillet, anbefales det kraftigt at lade den etablere sig og ikke justere den ofte. Forvent at vente ca. 24 timer inden du bemærker effekten af temperaturjustering på grund af massen, volumen og densiteten af et fuldt vinkøleskab.

Termostaten holder temperaturen inde i vinkøleskabet inden for et område på +/- 2,5°C. Men den termiske inertie af vinen og glasset er sådan, at den faktiske temperatur i vinen inden for dette temperaturområde bevæger sig i intervallet 0,5°C til 1°C.

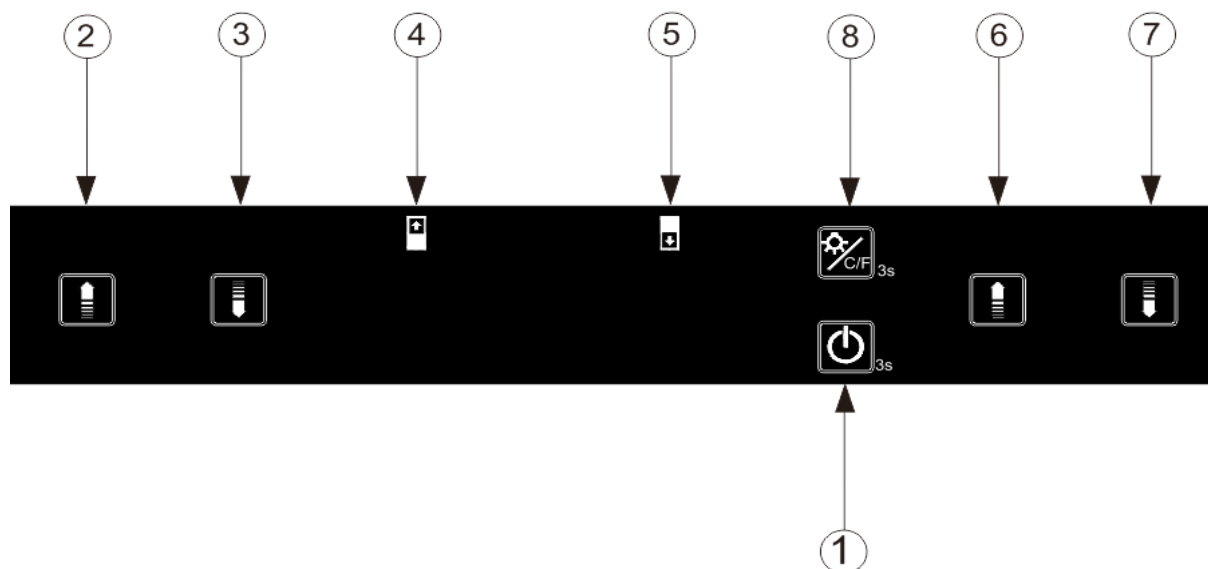
DISPLAY - BRUGSVEJLEDNING










Fra venstre til højre:

- ①  **Energispare indstilling**
Hold knappen inde i 3 sekunder. Herefter vil temperaturindstillingen automatisk være 16 grader – tryk knapperne 6 og 7 for at gå tilbage til normal indstilling
- ②  **Tænd / Sluk knappen:**
I standby indstilling: hold knappen inde i 3 sekunder, og skabet starter – Når skabet er tændt hold knappen inde i 3 sekunder og vindue 4 viser nedtællingen 3 2 1, og skabet slukker.
- ③  **Lys knappen**
Tryk på knappen for at tænde / slukke lyset. Tryk flere gange på knappen for at indstille farven på lyset. Der er 3 farver: Orange, Hvid og Blå. Tryk yderligere i ca. 1 sekund for styre lysets Tænd/sluk funktion når døren lukkes. Åben og luk døren for at se om lyset er tændt eller slukket med døren lukket.
- ④  **Display vindue**
Displayet viser den indstillede temperatur
- ⑤  **Vindue**
Viser den faktiske temperatur
- ⑥  **Temperatur indstillings knap**
Tryk en gang, og vindue 4 vil vise indstilling stige med 1 grad celsius, indstil i.h.t. Deres ønske.
- ⑦  **Temperatur indstillings knap**
Tryk en gang, og vindue 4 vil vise indstillingen med 1 grad Celsius lavere temperature, i.h.t. Deres ønske.
- ⑧  **C/F indstillings knap**
Indstilling mellem Celcius / Fahrenheit, et tryk ændrer indstillingen.

2 ZONERS KONTROL PANEL BETJENINGS VEJLEDNING



Fra højre til venstre:

- ①  **Tænd / Sluk knappen:**
I standby indstilling: hold knappen inde i 3 sekunder, og skabet starter – Når skabet er tændt holdes knappen inde i 3 sekunder og vindue 4 viser nedtællingen 3 2 1, og skabet slukker.
- ②  **Øverste zone temperature indstillings knap:**
Tryk en gang, og vindue 4 vil vise indstilling stige med 1 grad celsius, indstil i.h.t. Deres ønske.
- ③  **Øverste zone temperature indstillings knap:**
Tryk en gang, og vindue 4 vil vise indstillingen med 1 grad celsius lavere temperature, i.h.t. Deres ønske.
- ④  **Vindue:**
Viser temperaturen i øverste zone
- ⑤  **Vindue:**
Viser temperaturen i nederste zone
- ⑥  **Nederste zone temperature indstillings knap:**
Tryk en gang, og vindue 5 vil vise indstilling stige med 1 grad celsius, indstil i.h.t. Deres ønske.
- ⑦  **Nederste zone temperature indstillings knap:**
Tryk en gang, og vindue 5 vil vise indstillingen med 1 grad celsius lavere temperature, i.h.t. Deres ønske.

⑧  **Lys knap:**

Tryk på knappen for at tænde / slukke lyset. Tryk flere gange på knappen for at indstille farven på lyset. Der er 3 farver: Orange, Hvid og Blå. Tryk yderligere i ca. 1 sekund for styre lysets tænd/sluk funktion når døren lukkes. Åben og luk døren for at se om lyset er tændt eller slukket med døren lukket.

⑧  **C/F indstillingsknap:** Indstilling mellem Celcius / Fahrenheit, et tryk ændrer indstillingen.

VIGTIGT VEDRØRENDE OPBEVARINGSTEMPERATUR FOR VIN

Dit vinkøleskab er designet til at sørge for optimale betingelser for opbevaring og/eller servering af dine vine. Gode vine kræver lang og stabil udvikling og har brug for særlige forhold for at nå det fulde potentiale.

Alle vine modner optimalt ved den samme ideal-temperatur, som er en konstant temperatur mellem 12°C og 14°C. Når dette er sagt, og som det er tilfældet ved naturlige vinkældre der anvendes af vinproducenter til længere tids vinopbevaring, er det ikke den nøjagtige temperatur, der er vigtig, men dens konsistens. Med andre ord, så længe temperaturen på din vinkøler er konstant (12°C - 14°C), bliver dine vine opbevaret under perfekte forhold.

Ikke alle vine vil forbedre sig gennem årene. Nogle bør nydes unge (2 til 3 år), mens andre har et enormt lagringspotentiale (50 år og længere). Alle vine har et optimalt modenhedsvindue. Tal med din vinhandler for at få den bedste vejledning.

AFRIMNING - KONDENS - VENTILATION

Dette vinkøleskab er designet med et "Auto-cycle" afrimningssystem. Under "Off-cycle" afrimes kølefladerne af vinkøleren automatisk.

Afrimning/kondensvand fra opbevaringsrummet afløber automatisk, og en del af det går i en afløbsbeholder, som er placeret på bagsiden af vinkøleskabet ved siden af kompressoren. Varmen overføres fra kompressoren og fordampes eventuel kondens, som er opsamlet i beholderen.

Vinkøleskabet er udstyret med en dobbeltglasdør, der har et tredje indre akryllag for at minimere kondens på glasdøren. Vinkøleskabet er ikke fuldstændigt forsejlet; friskluft adgang sker gennem afløbsrøret. Luft cirkuleres gennem skabet ved hjælp af en ventilator og hyldernes lameller.

Bemærk: Under kølecyklussen afgives varme, der udledes gennem vinkøleskabets ydre overflader. Undgå at røre overfladerne under disse cyklusser.

JUSTERBARE TRÆHYLDER

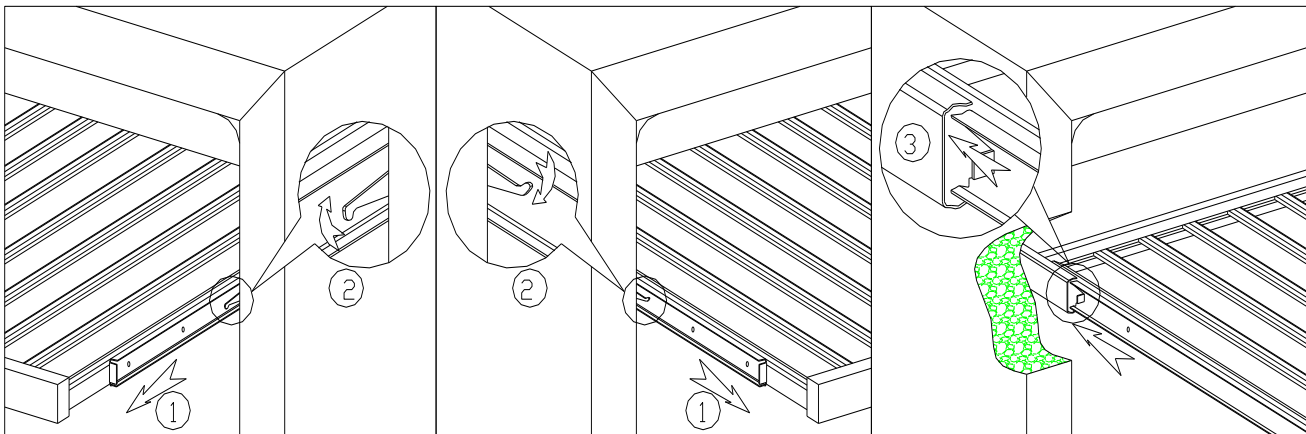
For nem adgang til de opbevarede flasker skal du trække hylderne ca. 1/3 af dybden ud af skinnen. Disse vinkøleskabe er dog udformet med et hak på hver side af hylde-skinne for at forhindre flasker i at tippe ud.

Når du fjerner en hylde fra skinnen, skal du vippe hylde som vist i diagrammet og blot trække ud eller sætte hylde tilbage i, indtil den sidder sikkert på støttebeslagene. For at undgå skade på dørpakningen skal du sørge for, at døren er helt åben, når du trækker hylde ud.

Påsætning og afmontering af hylde:

Hylde afmontering: i.h.t. nedenstående tegning, træk hylde ud (1), tryk på begge sider af gliderne samtidigt og træk hylde ud som ved pilene (2).

Hylde montering: i.h.t. nedenstående tegning placer hylde mellem glide-stængerne og følg pilene (3).

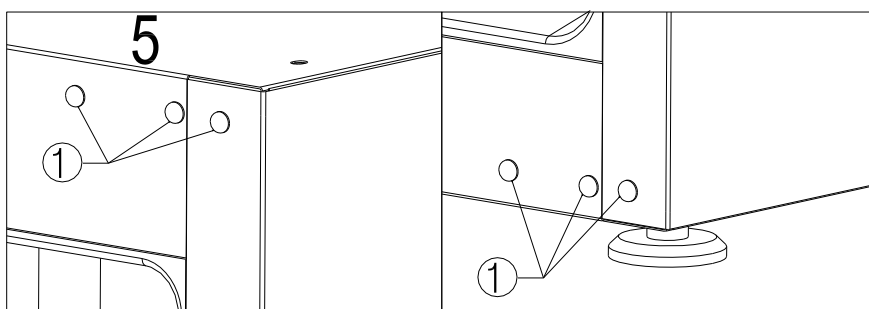
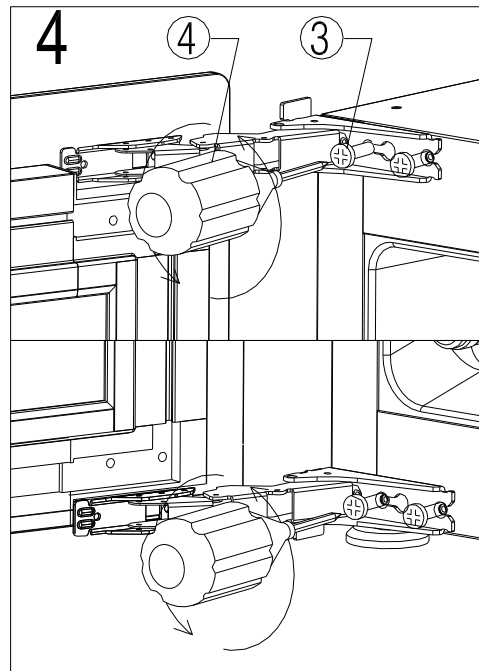
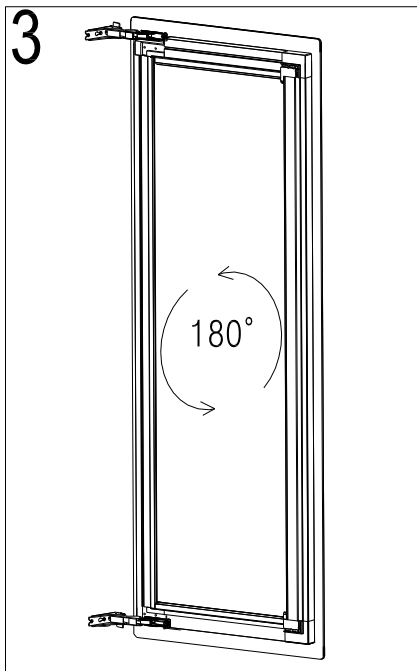
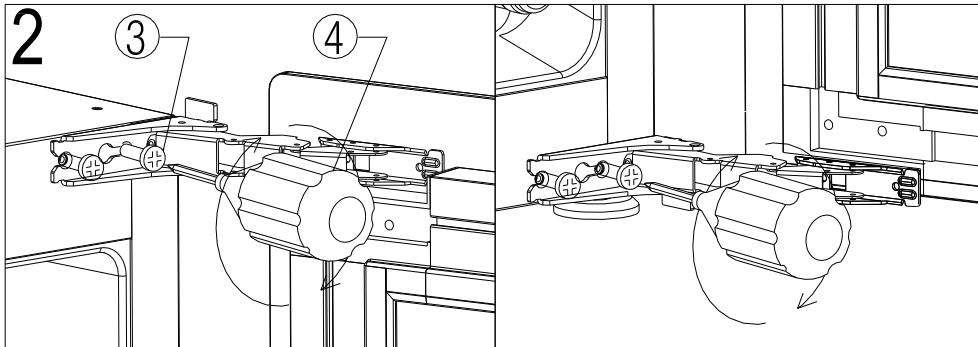
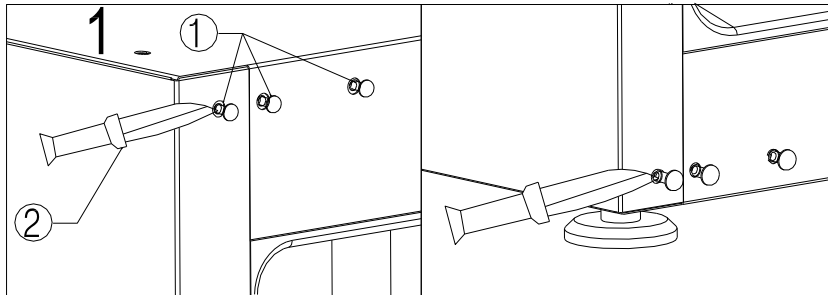


VENDING AF DØR

Advarsel: for at undgå ulykker når døren vendes, foreslår vi at 2 personer hjælper ad, da døren kan være tung.

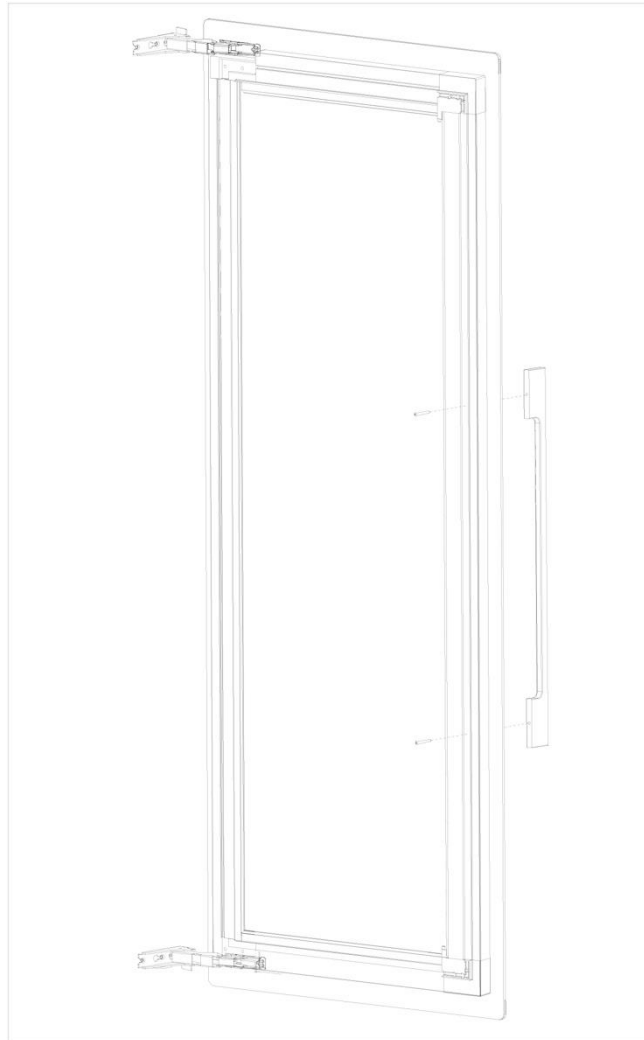
1. Åbn døren helt op til maksimum
2. Benyt en lille kniv (2) til at fjerne hul-propperne fra den venstre side af vinkøleskabet (1) tegning 1
3. Brug en skruetrækker (nr. 4) til at fjerne skruerne fra dørhængslet (3), fjern nu glasdøren (tegning 2)
4. Vend døren 180 grader og installér den på den anden side af vinkøleskabet (tegning 3+4)
5. Til slut monteres hulpropperne igen i modsatte side (tegning 5)

1. Hulpropper 2. Kniv 3. Skruer 4. Skruetrækker



METODE TIL AT SKIFTE HÅNDTAGET

1. Tag håndtaget ud fra skabet, og tag derefter 2 skruer ud fra tilbehørsposen
2. Fjern forseglingen på siden af døren og sæt skruerne i de to skruehuller. Placer dørhåndtaget over de to skruer og stram dem med en stjerneskruetrækker. Sæt forseglingen tilbage på skruehovederne.



Hvis skruerne huller i håndtaget ikke passer perfekt med hullerne i døren, skal du bruge en boremaskine til at bore hullerne i døren en smule større (i overfladen side).

DRIFTSFORSTYRRELSER

Sørg for, at der er strøm til stikkontakten ved at tilslutte et andet el-apparat. Kontrollér sikringen, hvis muligt. Sørg for, at døren er lukket korrekt.

Hvis dit vinkøleskab synes at være defekt, skal du tage det ud af stikket og kontakte dit salgssted. Ethvert arbejde på det kolde kredsløb skal udføres af en autoriseret køleprofessionel, som skal foretage en inspektion af kredsløbsforseglingen. Tilsvarende skal ethvert arbejde på det elektriske system udføres af en autoriseret elektriker.

Bemærk: *Al arbejde udført af ikke-autoriserede personer kan resultere i at garantien bortfalder.*

STRØMAFBRYDELSE OG –FORSTYRRELSER

I tilfælde af strømafbrydelse bevarer alle tidligere temperaturindstillinger automatisk, og systemet vender tilbage til en forudindstillet temperaturindstilling.

De fleste strømfejl korrigeres inden for en kort periode. Tab af strøm i en time eller to vil ikke påvirke temperaturerne i vinkøleskabet. For at undgå en pludselig temperaturændring, mens strømmen er slukket, anbefales det at undgå at åbne døren. Ved længere tid med strømsvigt skal du træffe foranstaltninger for at beskytte din vin.

FEJLFINDINGSGUIDE


De fleste almindelige problemer kan nemt løses, hvilket sparer dig for omkostningerne ved et eventuelt serviceopkald. Læs venligst brugsanvisningen nøje, og vend tilbage til fejlfindingsguiden.

PROBLEM	MULIG ÅRSAG
Vinkøleskab kører ikke.	Ikke tilsluttet strøm. Vinkøleskabet er slukket. HFI-relæet er slået fra eller sikringen er gået.
Vinkøleskab køler ikke nok.	Check temperaturindstillingen. Ydre omgivelser kan skabe andet behov for ændring af indstillinger. Døren åbnes for ofte. Døren er ikke ordentligt lukket. Dørpakningen forsejler ikke ordentligt.
Tænder og slukker for ofte.	Rumtemperaturen er varmere end normalt. Døren åbnes for ofte. Døren er ikke ordentligt lukket. Dørpakningen forsejler ikke ordentligt. Temperaturkontrollen er ikke indstillet korrekt.
Lyset virker ikke.	Ikke tilsluttet strøm. Vinkøleskabet er slukket. HFI-relæet er slået fra eller sikringen er gået. Lyskilden er i stykker. Lyset er slukket på displayet.
Vibrationer	Sørg for at vinkøleskabet står i perfekt lod og vater.
Vinkøleskabet ser ud til at støje for meget.	Den raslende lyd kan skyldes cirkuleringen af kølegas, hvilket er helt normal. Ved slutningen af hver kølecyklus kan der opstå en klukkende lyd pga. kølevæsken i systemet. Knirkende/smældende lyde - sker som følge af sammentrækning og udvidelse af kølemiddelgassen for at producere kulde. Vinkøleskabet er ikke i perfekt vater. Vinkøleskabet kan ikke komme af med varmen pga. manglende ventilation, og det skal derfor arbejde mere for at producere kulde.,
Døren vil ikke lukke ordentligt.	Vinkøleskabet er ikke i perfekt vater. Døren var ikke vendt eller monteret ordentligt. Fejl i dørens pakning. (Magnet eller gummi defekt) Hylder ikke på plads og blokerer døren.

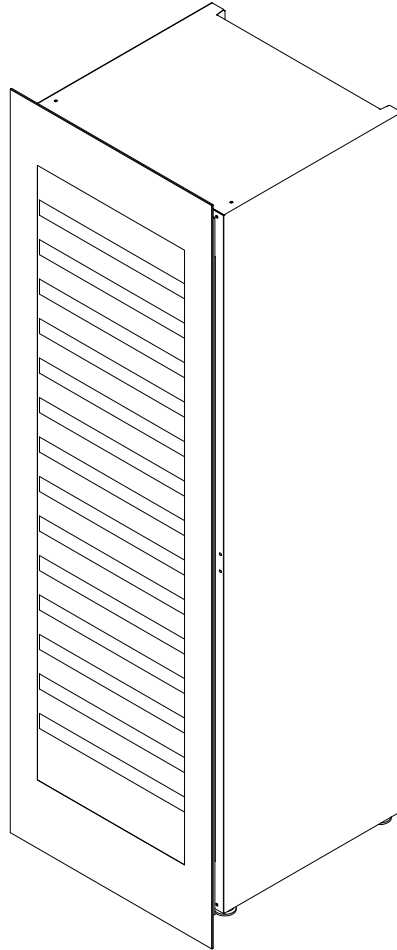
Standardfunktioner:
Kompressordrevet: R600a eller R134a
- Fås i nominel spænding/frekvens: 100V/50/60Hz, 220V/50/60Hz, 115V/50Hz
- Automatisk optøning
- Fugtighed : 65% RH +/-10% RH
- Sort ydre og indvendig finish
- Indre lys
- Justerbare fødder x 4
- Valgfri to eller tredobbelt lag glasdør
- Valgfri fælles eller sømløs rustfrit stål finish dørkarm eller fuld sort glasdør

Før bortskaffelse af apparatet.

1. Tag stikket ud af stikkontakten.
2. Skær hovedkablet af og kassér det

Correct disposal of this product	
	<p>This symbol on the product, or in its packaging, indicates that this product may not be treated as household waste. Instead, it should be taken to the appropriate waste collection point for the recycling of electrical and electronic equipment. By ensuring this product is disposed of correctly, you will help prevent potential negative consequences for the environment and human health, which could otherwise be caused by the inappropriate waste handling of this product. For more detailed information about the recycling of this product, please contact your local council, your household waste disposal service, or the shop where you purchased the product.</p>

WEINKÜHLSCHRANK BEDIENUNGSANLEITUNG



PI106S-B-Modelle

PI106D-B-Modelle

Diese Weinkühlschränke sind ausschließlich integrierbar.

WWW.PEVINO.COM

DANKE FÜR IHREN KAUF EINES WEINKÜHLSCHRANKS VON PEVINO.

BITTE LESEN UND BEFOLGEN SIE VOR DER NUTZUNG ALLE SICHERHEITSREGELN UND BEDIENUNGSANWEISUNGEN.

ACHTUNG

Änderungen in diesem Dokument können ohne Vorankündigung erfolgen.

WICHTIGE SICHERHEITSANWEISUNGEN

Um bei der Verwendung des Geräts die Gefahr von Brand, elektrischen Schlägen oder Schäden zu minimieren, müssen Sie diese grundlegenden Verhaltensregeln beachten.

Um die Dichtung der Tür nicht zu beschädigen, müssen Sie sicherstellen, dass die Tür komplett geöffnet ist, wenn die Regalböden auf den Schienen herausgezogen werden.

Das Gerät muss so platziert sein, dass der Stecker zugänglich ist. Den Stecker herausziehen. Den Schrank auf die gewünschte Position verschieben. Den Schrank nicht verschieben, während er mit Weinflaschen befüllt ist. Falls das Kabel beschädigt ist, muss es vom Hersteller oder einem Elektriker ausgetauscht werden.

Dieser Weinkühlschrank ist ausschließlich zum Kühlen von Wein konzipiert.

ACHTUNG

NICHT kinderfreundlich! Defekte oder hinterlassene Geräte können für Kinder eine Gefahrenquelle darstellen. Deshalb sollten sie fachgerecht entsorgt werden, wenn sie nicht mehr verwendet werden können.

Vor dem Entsorgen des alten Weinkühlschranks: Bauen Sie die Tür ab, damit die Kinder nicht hineinklettern können. Kinder dürfen keinesfalls das Gerät bedienen, damit spielen oder hineinkriechen.

Die Geräteteile dürfen keinesfalls mit brennbaren Flüssigkeiten gereinigt werden. Die Dämpfe können ein Brand- oder Explosionsrisiko darstellen. Brennbare Flüssigkeiten dürfen nie in der Nähe dieses oder anderer Geräte gelagert oder verwendet werden. Die Dämpfe können ein Brand- oder Explosionsrisiko darstellen.

HEBEN SIE DIESE ANLEITUNG ZUR EVENTUELLEN SPÄTEREN VERWENDUNG AUF.

VOR DEM ANSCHLIESSEN UND BEFÜLLEN DES WEINKÜHLSCHRANKS

Vor der Nutzung des Weinkühlschranks

- Die Innen- und Außenverpackung entfernen.
- Vor dem Anschluss des Geräts an die Stromzufuhr muss es ca. 12 -24 Stunden lang aufrecht stehen. So wird das Risiko eines Funktionsfehlers im Kühlsystem reduziert.
- Die Innen-Oberflächen mit lauwarmem Wasser und einem weichen Tuch reinigen.
- Beim Austausch des Leuchtmittels muss die neue Leuchtquelle dieselbe Fassung, Wattzahl und Spannung aufweisen wie die alte. Vor dem Austausch des Leuchtmittels die Stromzufuhr unterbrechen.

Installation des Weinkühlschranks


- Der Weinkühlschrank muss auf einem Untergrund oder einer Oberfläche angebracht werden, die stark genug ist, wenn das Gerät komplett beladen ist. Achten Sie darauf, dass der Weinkühlschrank komplett waagrecht steht, indem Sie die Beine unter dem Boden justieren.
- Der Weinkühlschrank darf nicht direktem Sonnenlicht ausgesetzt werden oder in der Nähe von Wärmequellen stehen (Herd, Heizelement, Heizkörper usw.). Direkte Sonneneinstrahlung kann den Acrylüberzug beschädigen, und die Wärmequellen können den Stromverbrauch erhöhen.
- Extrem niedrige Umgebungstemperaturen können ebenfalls zu einer Fehlfunktion des Geräts führen.
- Das Gerät darf nicht in eine feuchte Umgebung gestellt werden.
- Den Weinkühlschrank an eine Steckdose mit Erdung anschließen. Alle Fragen bezüglich des Stroms müssen an einen autorisierten Elektroinstallateur gerichtet werden.

Bitte beachten Sie Folgendes:

- Den Wein in geschlossenen Flaschen aufbewahren.
- Den Schrank nicht übermäßig belasten.
- Die Tür nur bei Bedarf öffnen.
- Die Regalböden nicht mit Alufolie oder anderem Regalmaterial bekleiden, das die Luftzirkulation beeinträchtigen kann.
- Falls der Weinkühlschrank für längere Zeit nicht genutzt wird, sollte nach einer gründlichen Reinigung die Tür einen Spaltbreit aufstehen, damit die Luft im Schrank zirkulieren kann. So wird die Bildung von Feuchtigkeit, Schimmel und unangenehmen Gerüchen verhindert.
- Der mitgelieferte Aktivkohlefilter (entfernt Schimmel und unangenehme Gerüche) sollte mindestens einmal pro Jahr demontiert und zum Trocknen/Lüften in die Sonne gelegt werden.

ACHTUNG:

Bitte beachten Sie zu Ihrer eigenen Sicherheit die folgenden Empfehlungen.

- Dieses Gerät enthält eine geringe Menge an R600a-Kühlmittel, das umweltfreundlich, aber feuergefährlich ist. Es beschädigt nicht die Ozonschicht und verstärkt nicht den Treibhauseffekt.
- Während des Transports und der Installation müssen Sie dafür sorgen, dass der Schlauch im Kühlmittelkreislauf nicht beschädigt wird.
- Vermeiden Sie die Verwendung von scharfen Gegenständen in der Nähe des Geräts.
- Undichtes Kühlmittel kann sich entzünden und die Augen beschädigen.
- Falls Schäden auftreten, bitte offenes Feuer vermeiden. Entfernen Sie den Stecker aus der Steckdose.
- Das Gerät muss mindestens 1 Kubikmeter pro 8 Gramm Kühlmittel enthalten. Die Kühlmittelmenge in diesem Gerät ist oben in Gramm angegeben. Dies ist auch auf dem Typenschild des Geräts vermerkt.
- Um Gefahr wegen Instabilität am Gerät zu vermeiden, muss dieses gemäß den Anweisungen befestigt werden.
- Das Symbol  ist eine Warnung und zeigt an, dass das Kühlmittel und das Isoliergas entzündlich sind.
- Feuergefahr/brennbare Materialien
- Bewahren Sie in diesem Gerät keine explosiven Gegenstände wie aerosolhaltige Dosen mit einem brennbaren Triebmittel auf.
- Während des Platzierens des Weinkühlschranks müssen Sie dafür sorgen, dass das Kabel nicht eingeklemmt oder beschädigt wird.
- Hinter dem Gerät dürfen sich keine Verlängerungskabel, Kabeltrommeln oder Mehrfachsteckdosen befinden.
- Das Kühlmittel und das Isolierungsbläsergas sind entzündbar. Die Entsorgung des Apparats darf nur auf einem offiziellen Recyclinghof stattfinden. Darf nicht Flammen ausgesetzt werden.

Es ist für andere als autorisierte Servicemonteure gefährlich, an diesem Gerät Service oder Reparaturen durchzuführen.

- Die Lüftungsöffnungen im Gehäuse des Apparats oder in der eingebauten Konstruktion müssen freigehalten werden, damit sie nicht blockiert werden können.
- Verwenden Sie keine mechanischen oder andere Mittel, um den Abtauprozess zu beschleunigen - abgesehen von denen, die vom Hersteller empfohlen werden.
- Der Kühlmittelkreislauf darf nicht beschädigt werden.
- Keine elektrischen Geräte im Lagerfach des Geräts verwenden, es sei denn, sie sind vom Typ, den der Hersteller empfiehlt.
- Wenn das Gerät für längere Zeit nicht genutzt wird, muss der Stecker aus der Steckdose gezogen werden.
- Dieses Gerät ist nicht für die Bedienung durch Personen (hierunter Kinder) konzipiert, die eine eingeschränkte körperliche, sensorische oder mentale Kapazität besitzen oder einen Mangel an Erfahrung und Wissen. Es sei denn, sie werden beaufsichtigt oder haben eine Einweisung zur Nutzung des Geräts von einer verantwortungsvollen Person erhalten.
- Kinder müssen beaufsichtigt werden um zu gewährleisten, dass sie mit dem Gerät nicht spielen;
- Keine Verlängerung oder nicht-abgerundete (zwei Zweige) Adapter verwenden;
- Falls das Kabel beschädigt ist, muss es vom Hersteller ausgetauscht werden.

**ANWEISUNGEN ZUR INSTALLATION VON INTEGRIERBAREN
WEINKÜHLSCHRÄNKEN:
*WEINKÜHLSCHRÄNKE AUSSCHLIESSLICH MIT FRONTBELÜFTUNG***

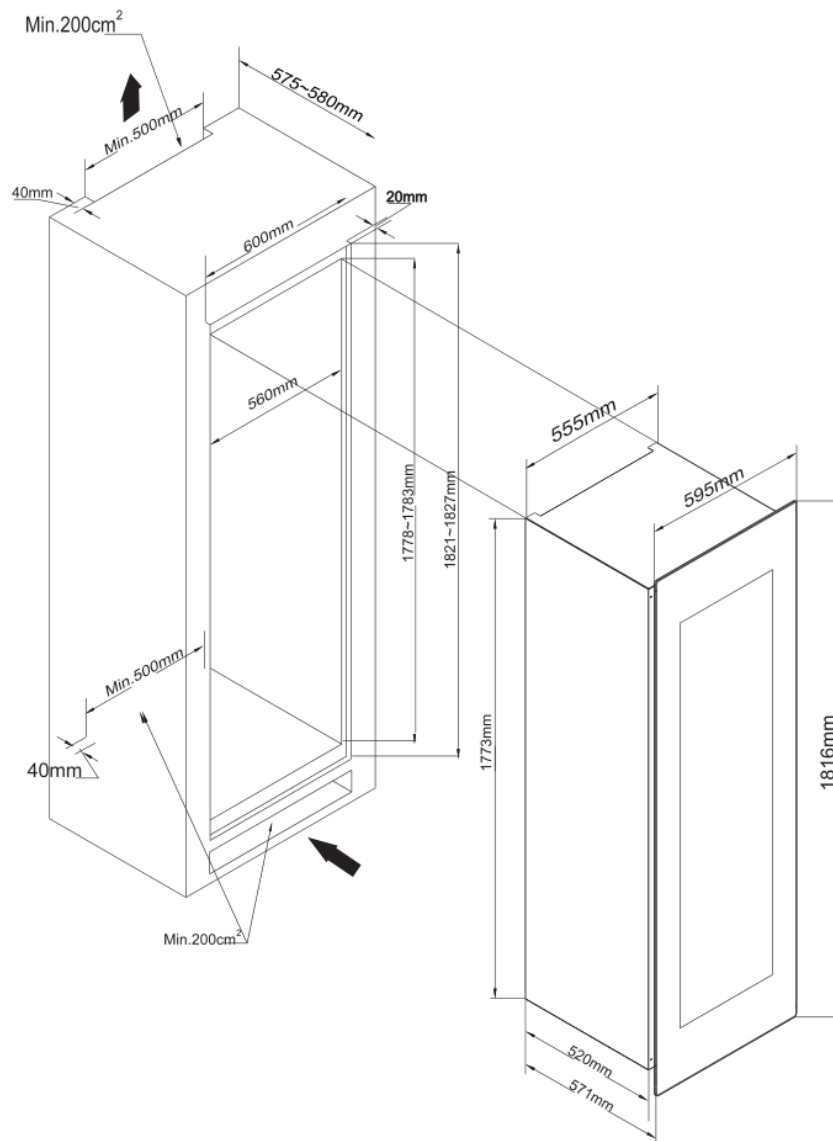
1. Integrierbare Weinkühlschränke besitzen eine Frontbelüftung und sind nicht konzipiert, um komplett hinter einer festen Abdeckung integriert zu werden (z. B. einer Schrankfront in der Küche).
2. Bitte befolgen Sie bei der Installation des Weinkühlschranks das Installationsdiagramm. Unterschreiten Sie nie die Minimalanforderungen an die Abmessungen.
3. Der Lufteinlass des Weinkühlschranks befindet sich rechts vom Lüftungsgitter unter der Tür und bläst die Luft an derselben Stelle auf der linken Seite aus.
4. Der Weinkühlschrank hat am Bedienpanel einen Ein- und Ausschalter (Power on/off).
5. Der Weinkühlschrank muss standardmäßig mit 240 Volt/10 A angeschlossen werden.
6. Die Leitung ist 200 cm lang und hinten rechts angeschlossen.
7. In warmen Klimazonen muss an der Rückseite des Gehäuses oder beidseitig oben ein Lüftungskanal oder Gitter mit einer Mindestventilationsgröße von 200 mm x 50 mm ausgeschnitten werden. So wird eine Frischluftzufuhr zum 30 mm tiefen Zwischenraum hinten am Gehäuse gewährleistet. Dieser Luftauslass bzw. dieses Gitter darf nicht zur selben Seite hin geöffnet sein wie andere Geräte wie z. B. Öfen. Er darf ebenfalls nicht zu einem Bereich hin ohne kühle Frischluftzufuhr geöffnet werden.

ACHTUNG: Der Weinkühlschrank muss so platziert werden, dass nach der Installation die Stromzufuhr zugänglich ist.

INSTALLATIONSDIAGRAMME

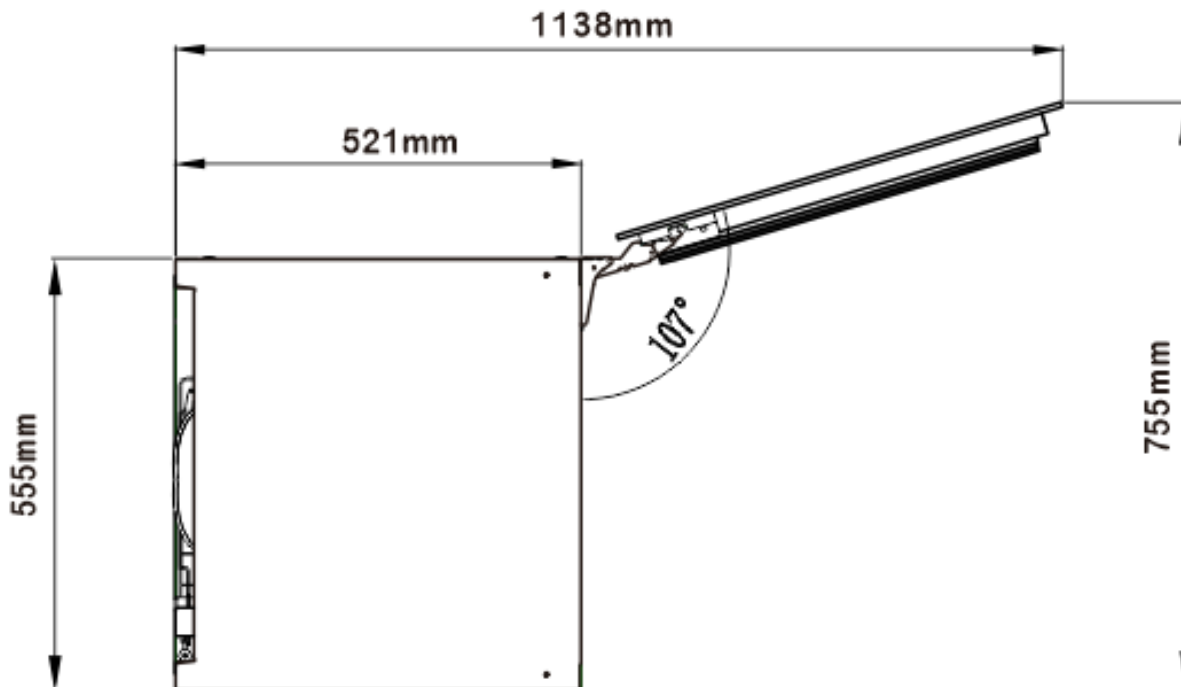
Dies ist ein integrierbarer Weinkühlschrank, der in einem Schrank/Gehäuse installiert werden muss. Das Gehäuse/Schranelement muss gut belüftbar sein und darf keine Schrankrückseite haben, da ansonsten die normale Funktion des Weinkühlschranks beeinträchtigt wird. Bitte befolgen Sie das Installationsdiagramm.

PI106S-B- & PI106D-B-Modell



TÜRÖFFNUNG - WINKEL UND ABMESSUNGEN

PI106S-B- & PI106D-B-Modell



START DES WEINKÜHLSCHRANKS

Das Gerät anschließen und durch das Betätigen des Ein- und Ausschalters für einige Sekunden einschalten. Wenn der Weinkühlschrank zum ersten Mal in Betrieb genommen oder nach einem langen Zeitraum neu gestartet wird, werden in den ersten Betriebsstunden einige Grade Differenz zwischen der gewählten Temperatur und der auf dem LED-Display angezeigten Temperatur auftreten. Dies ist normal und durch die Länge der Aktivierungsdauer begründet. Wenn der Weinkühlschrank einige Stunden lang in Betrieb gewesen ist, wird sich dies stabilisieren.

Wichtig: Falls die Stromzufuhr zum Weinkühlschrank unterbrochen worden ist, der Strom ausfällt oder abgeschaltet wird, müssen Sie vor einem erneuten Hochfahren 3-5 Minuten lang warten. Der Weinkühlschrank wird nicht gestartet, falls Sie vor dieser Verzögerung einen Neustart versuchen.

BETRIEBSGERÄUSCHE

Um die gewünschten Temperatureinstellungen zu erzielen, kann dieser Weinkühlschrank folgende Arten von Geräuschen produzieren (wie alle Weinkühlschränke mit Kompressor und Gebläse):

Geräusche sind normal und können folgendermaßen auftreten:

Gluckernde und zischende Geräusche - verursacht vom Kühlmittel, das durch die Rohre und Düsen des Systems strömt.

Knackende/schnalzende Geräusche - Folge des Zusammenziehens und Erweiterns des Kühlmittelgases, um Kälte zu produzieren.

Windgeräusch - das Gebläse sorgt für die Luftzirkulation im Weinkühlschrank.

BEFÜLLEN DES WEINKÜHLSCHRANKS

Sie können die Weinflaschen ein- oder doppelreihig einlegen, während Sie dabei Folgendes beachten: Falls nicht ausreichend viele Flaschen zum kompletten Befüllen des Weinkühlschranks zur Verfügung stehen, ist es besser, die Flaschen gleichmäßig im Weinkühlschrank zu verteilen. Sie können die verstellbaren Holzeinlegeböden entfernen oder verschieben, so dass im Schrank Platz für größere Flaschen ist. Bei Bedarf können Sie auch die Platzkapazität erweitern, indem Sie die Flaschen stapeln. (Siehe: Entfernen von Regelböden)

Für kleine Zwischenräume zwischen den Innenwänden und Flaschen sorgen, damit die Luft zirkulieren kann. Wie in einem unterirdischen (Wein)keller ist die Luftzirkulation wichtig, um die Bildung von Schimmelpilz zu verhindern und um eine gleichmäßigere Temperaturverteilung im gesamten Keller zu gewährleisten.



Den Weinkühlschrank nicht übermäßig belasten.

Die Gebläse nicht versperren (sie befinden sich hinten im Weinkühlschrank).

Die Regalböden nach Möglichkeit nicht länger als bis zur eingerasteten Position herausziehen, damit die Flaschen nicht herausfallen.

Nicht mehr als einen voll ausgelasteten Regalboden zur Zeit herausziehen, da ansonsten das Gerät nach vorne kippen kann.

Die Regalböden nicht mit Alufolie oder anderen Materialien bekleiden, da dies die Luftzirkulation beeinträchtigen kann.

Den Weinkühlschrank nicht verschieben, während er mit Weinflaschen befüllt ist. Dadurch kann das Gehäuse des Weinkühlschranks verformt werden.

Nach dem ersten Befüllen

Je nach Beladung und den gewählten Einstellungen dauert es etwa 24 Stunden, bis sich die Temperatur im Weinkühlschrank stabilisiert. Während dieser Zeit scheint es, als ob sich die LED-Temperaturanzeige unregelmäßig bewegt. Das ist normal und geschieht, wenn die Einstellung geändert wird und/oder viele Flaschen in den Weinkühlschrank gelegt werden.

EINSTELLUNG DER TEMPERATUR

Wichtig: Das LED-Display gibt standardmäßig die reelle Lufttemperatur im Schrank an.

Die Leiterplatte in allen Modellen ist mit einer Speicherfunktion versehen. Alle Einstellungen werden auf die im Voraus eingestellte Temperatur zurückgesetzt, wenn die Stromzufuhr wiederhergestellt ist.

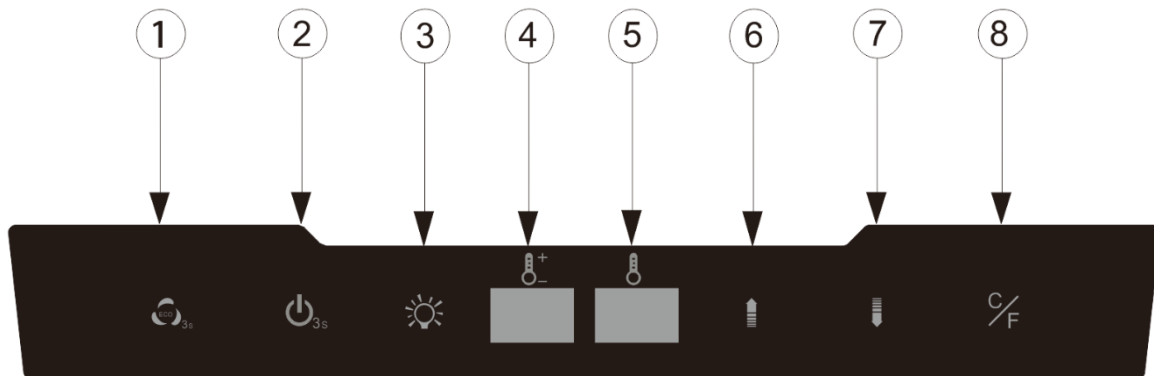
ACHTUNG!

Es ist wichtig zu verstehen, dass ein Unterschied zwischen der Lufttemperatur im Weinkühlschrank und der realen Temperatur des Weins besteht.








Wenn die Temperatur eingestellt ist, wird dringend empfohlen, dass diese sich etablieren kann und nicht zu oft verstellt wird. Sie sollten eine ca. 24-stündige Wartezeit einkalkulieren, bis sich der Effekt der Temperaturanpassung bemerkbar macht. Dies liegt an der Masse, dem Volumen und der Dichtheit eines vollen Weinkühlschranks.

Der Thermostat hält die Temperatur im Weinkühlschrank in einem Bereich von +/- 2,5 °C. Durch die thermische Trägheit des Weins und des Glases bewegt sich die tatsächliche Temperatur im Wein innerhalb dieses Temperaturbereichs im Intervall von 0,5 °C bis 1 °C.

DISPLAY - BEDIENUNGSANLEITUNG

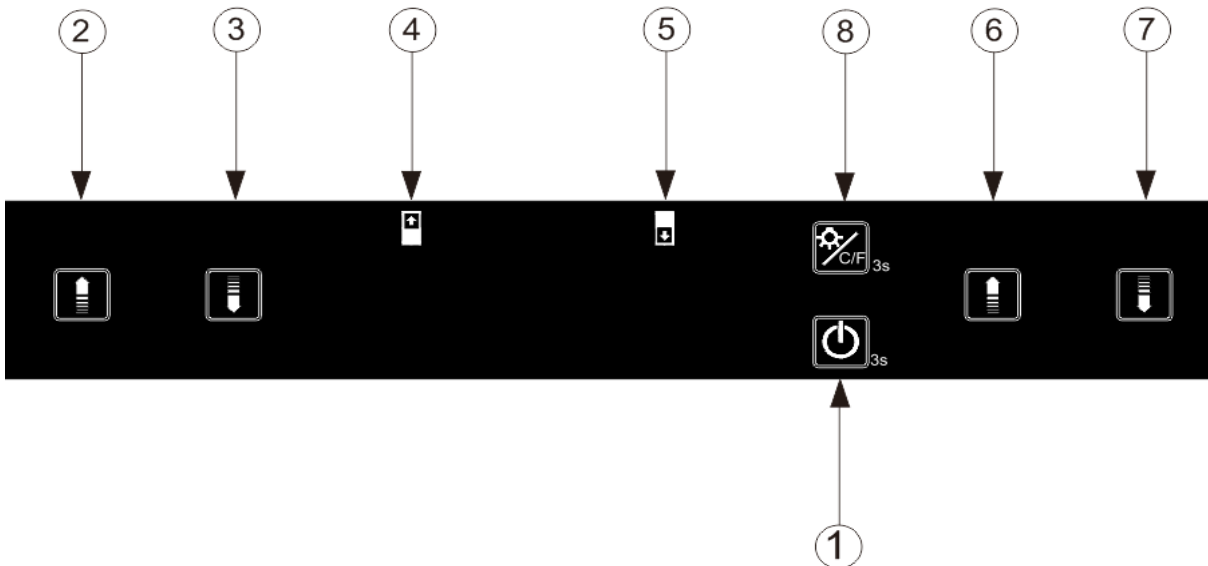


Von links nach rechts:







- ①  **Energiespareinstellung**
Die Taste 3 Sekunden lang gedrückt halten. Danach beträgt die Temperatureinstellung automatisch 16 Grad – die Tasten 6 und 7 drücken, um zur Standardeinstellung zurückzukehren.
- ②  **Ein- / Ausschalter:**
Im Standby-Modus: die Taste 3 Sekunden lang gedrückt halten, und der Schrank wird gestartet. Wenn der Schrank eingeschaltet ist, die Taste 3 Sekunden lang gedrückt halten. Im Fenster Nr. 4 wird der Countdown „3 2 1“ angezeigt, und der Schrank wird ausgeschaltet.
- ③  **Licht-Taste**
Die Taste betätigen, um das Licht ein- und auszuschalten. Die Taste mehrmals betätigen, um die Lichtfarbe einzustellen. Es stehen 3 Farben zur Auswahl: Orange, Weiß und Blau. Ca. 1 weitere Sekunde gedrückt halten, um die Ein- und Ausschaltfunktion des Lichts beim Schließen der Tür zu steuern.
Die Tür öffnen und schließen um zu überprüfen, ob das Licht bei geschlossener Tür ein- oder ausgeschaltet ist.
- ④  **Display-Fenster**
Am Display wird die eingestellte Temperatur angezeigt.
- ⑤  **Fenster**
Zeigt die reelle Temperatur an.
- ⑥  **Taste für die Temperatureinstellung**
Nach einmaligem Drücken wird im 4. Fenster angezeigt, wie die Temperatur um 1 Grad Celsius gemäß der gewünschten Einstellung fällt.
- ⑦  **Taste für die Temperatureinstellung**
Nach einmaligem Drücken wird im 4. Fenster angezeigt, wie die Temperatur um 1 Grad Celsius gemäß der gewünschten Einstellung fällt.

- ⑧  Einstellungstaste für C/F
Einstellung zwischen Celsius/Fahrenheit; ein Druck ändert die Einstellung.

2-ZONEN-BEDIENPANEL BEDIENUNGSANLEITUNG



Von rechts nach links:

- ①  **Ein- /Austaste:**
Im Standby-Modus: die Taste 3 Sekunden lang gedrückt halten, und der Schrank wird gestartet. Wenn der Schrank eingeschaltet ist, die Taste 3 Sekunden lang gedrückt halten. Im Fenster Nr. 4 wird der Countdown „3 2 1“ angezeigt, und der Schrank wird ausgeschaltet.
- ②  **Temperatureinstellungstaste für die obere Zone:**
Nach einmaligem Drücken wird im 4. Fenster angezeigt, wie die Temperatur um 1 Grad Celsius gemäß der gewünschten Einstellung steigt.
- ③  **Temperatureinstellungstaste für die obere Zone:**
Nach einmaligem Drücken wird im 4. Fenster angezeigt, wie die Temperatur um 1 Grad Celsius gemäß der gewünschten Einstellung fällt.
- ④  **Fenster:**
Zeigt die Temperatur in der oberen Zone an.
- ⑤  **Fenster:**
Zeigt die Temperatur in der unteren Zone an.
- ⑥  **Temperatureinstellungstaste für die untere Zone:**

Nach einmaligem Drücken wird im 5. Fenster angezeigt, wie die Temperatur um 1 Grad Celsius gemäß der gewünschten Einstellung steigt.


⑦  **Temperatureinstellungstaste für die untere Zone:**

Nach einmaligem Drücken wird im 5. Fenster angezeigt, wie die Temperatur um 1 Grad Celsius gemäß der gewünschten Einstellung fällt.

⑧  **Licht-Taste:**

Die Taste betätigen, um das Licht ein- und auszuschalten. Die Taste mehrmals betätigen, um die Lichtfarbe einzustellen. Es stehen 3 Farben zur Auswahl: Orange, Weiß und Blau. Ca. 1 weitere Sekunde gedrückt halten, um die Ein- und Ausschaltfunktion des Lichts beim Schließen der Tür zu steuern.

Die Tür öffnen und schließen um zu überprüfen, ob das Licht bei geschlossener Tür ein- oder ausgeschaltet ist.

⑧  **Einstellungstaste für C/F:** Einstellung zwischen Celsius/Fahrenheit; ein Druck ändert die Einstellung.

WICHTIG ZUR LAGERUNGSTEMPERATUR VON WEIN

Ihr Weinkühlschrank ist gemacht, um die optimalen Bedingungen zum Lagern und/oder Servieren Ihrer Weine zu bieten. Gute Weine setzen eine lange und stabile Reifung voraus und erfordern besondere Bedingungen, um ihr volles Potenzial zu entfalten.

Alle Weine reifen optimal bei derselben Ideal-Temperatur, welche eine konstante Temperatur zwischen 12 °C und 14 °C ist. Wie bei natürlichen Weinkellern, die von Winzern zur Langzeitlagerung von Wein verwendet werden, ist nicht die präzise Temperatur ausschlaggebend, sondern deren Konsistenz. Mit anderen Worten: solange die Temperatur des Weinkühlschranks konstant ist (12 °C - 14 °C), werden Ihre Weine unter idealen Bedingungen gelagert.

Nicht alle Weine werden mit den Jahren besser. Einige sollten jung (2 bis 3 Jahre) genossen werden, während andere ein enorm langes Lagerpotenzial besitzen (50 Jahre und mehr). Alle Weine haben ein optimales Reifefenster. Lassen Sie sich hierzu vom Weinhändler Ihres Vertrauens beraten.

ABTAUEN - KONDENSATBILDUNG - BELÜFTUNG

Dieser Weinkühlschrank ist mit einem „Auto-cycle“-Abtausystem ausgestattet. Bei „Off-cycle“ werden die Kühlflächen des Weinkühlers automatisch abgetaut.

Die abgetaute Flüssigkeit/das Kondenswasser läuft automatisch ab, und ein Teil davon wird im Abflussbehälter aufgefangen, der sich auf der Rückseite des Weinkühlschranks neben dem Kompressor befindet. Die Wärme wird vom Kompressor abgeleitet und verdampft gegebenenfalls Kondenswasser, welches im Behälter aufgefangen wird.

Der Weinkühlschrank ist mit einer doppelten Glastür ausgestattet, die mit einer innenliegenden Acrylschicht versehen ist, um die Kondensatbildung an der Glastür zu minimieren. Der Weinkühlschrank ist nicht komplett versiegelt; die Frischluftzufuhr erfolgt über das Abflussrohr. Die Luft wird mithilfe eines Gebläses und durch die Lamellen an den Regalböden im Schrank verteilt.

Achtung: Während des Kühlzyklus wird Wärme abgesondert, die über die äußeren Oberflächen des Weinkühlschranks abgeleitet wird. Während dieser Zyklen die Oberflächen nach Möglichkeit nicht berühren.

VERSTELLBARE HOLZREGALBÖDEN

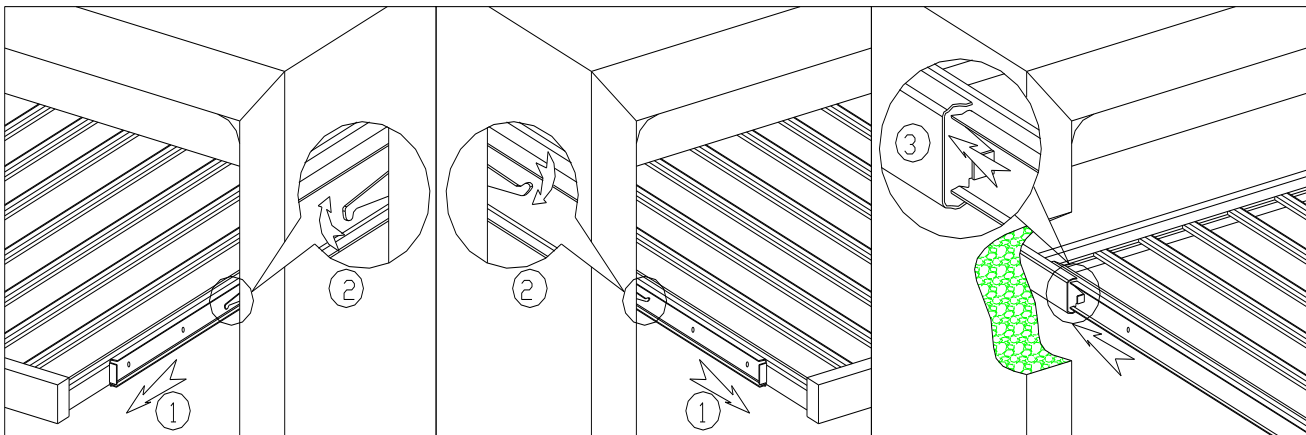
Für einen einfachen Zugriff auf die gelagerten Flaschen werden die Regalböden zu ca. 1/3 auf der Schiene herausgezogen. Diese Weinkühlschränke haben jedoch auf beiden Seiten der Regalbodenschienen eine Sperrvorrichtung, so dass die Flaschen nicht herauskippen.

Wenn ein Regalboden aus der Schiene herausgenommen werden soll, muss der Regalboden wie abgebildet angekippt und lediglich herausgezogen werden. Alternativ muss der Regalboden wieder hineingesetzt werden, bis er sicher auf den Stützhalterungen befestigt ist. Um Schäden an der Türdichtung zu vermeiden, müssen Sie sicherstellen, dass die Tür komplett geöffnet ist, wenn die Regalböden hinausgezogen werden.

Einsetzen und Demontage des Regalbodens:

Demontage des Regalbodens laut unten abgebildeter Skizze: Den Regalboden herausziehen (1), gleichzeitig auf beide Seiten der Gleitschienen drücken und den Regalboden in Pfeilrichtung herausziehen (2).

Montage des Regalbodens laut unten abgebildeter Skizze: Den Regalboden zwischen die Gleitstangen platzieren und in Pfeilrichtung einschieben (3).

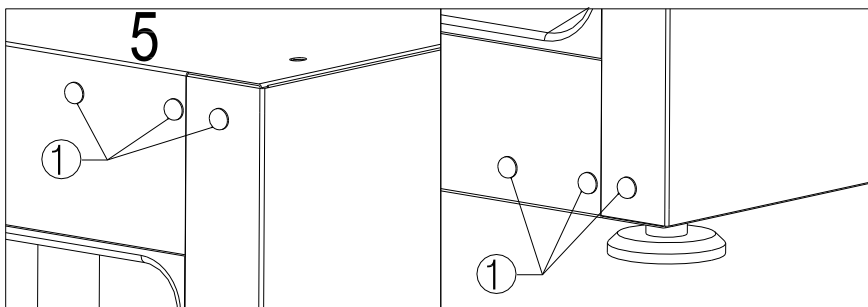
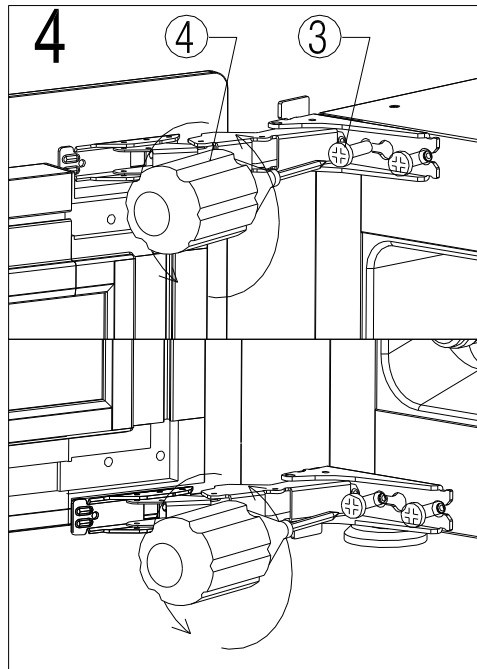
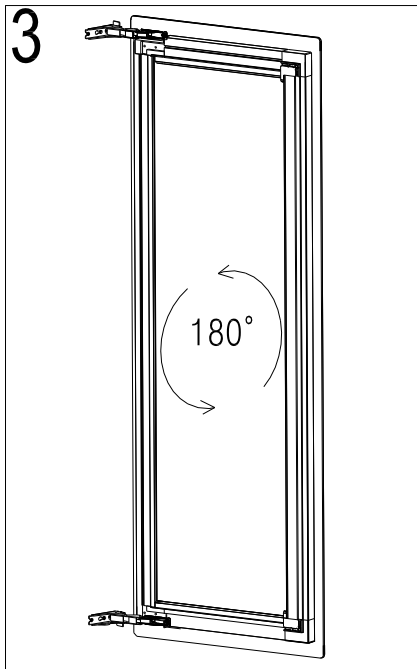
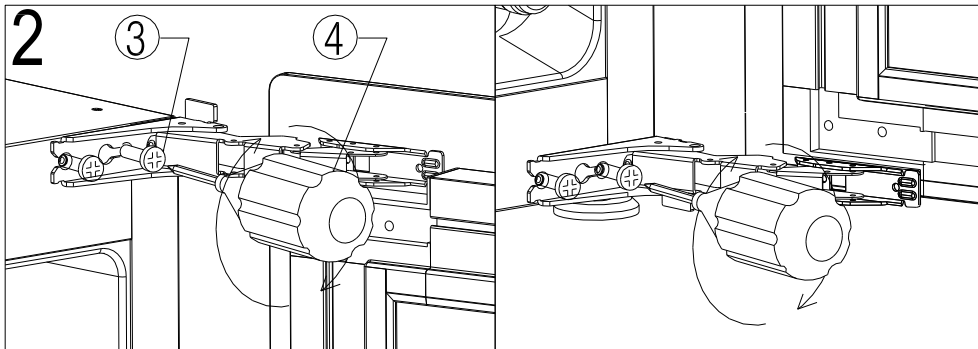
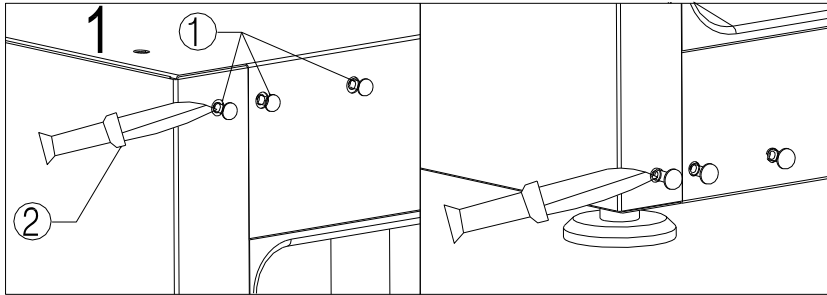


TÜRANSCHLAG WECHSELN

Achtung: Um Unfälle und Schäden beim Wechseln zu vermeiden, schlagen wir vor, dass dies von 2 Personen erledigt wird, da die Tür schwer sein kann.

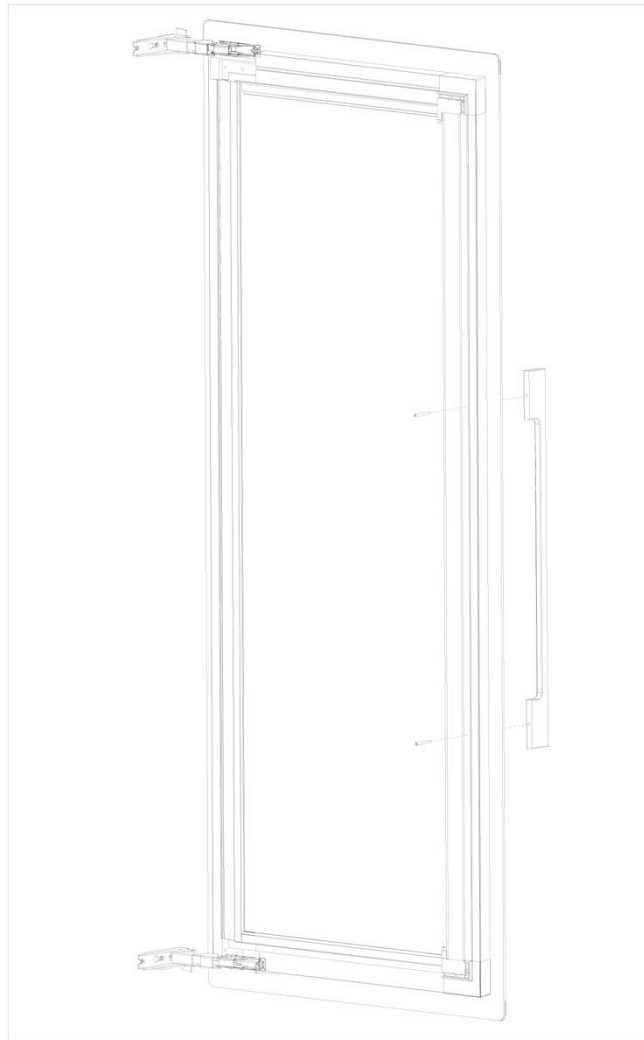
6. Die Tür so weit wie möglich öffnen.
7. Ein kleines Messer (2) zum Entfernen der Lochstöpsel auf der linken Seite des Weinkühlschranks(1) verwenden (Skizze 1).
8. Mit einem Schraubenzieher (4) die Schrauben vom Türscharnier (3) entfernen. Jetzt die Glastür entfernen (Skizze 2).
9. Die Tür um 180 Grad rotieren und auf der anderen Seite des Weinkühlschranks installieren (Skizze 3+4).
10. Zum Schluss werden die Lochstöpsel wieder auf der entgegengesetzten Seite angebracht (Skizze 5).

1. Lochstöpsel 2. Messer 3. Schrauben 4. Schraubenzieher



METHODE ZUM AUSTAUSCHEN DES GRIFFS

3. Den Griff aus dem Schrank nehmen und danach 2 Schrauben aus dem Zubehörbeutel nehmen.
4. Die Versiegelung an der Türseite entfernen und die Schrauben in die zwei Schraublöcher einsetzen. Den Türgriff über den zwei Schrauben anbringen und mit einem Kreuzschlitz-Schraubenzieher anziehen. Die Versiegelung wieder auf den Schraubköpfen anbringen.



Falls die Schraublöcher im Griff nicht genau zu den Löchern in der Tür passen, müssen Sie mit einer Bohrmaschine die Löcher in der Tür ein wenig vergrößern (auf der Oberflächenseite).

BETRIEBSSTÖRUNGEN

Überprüfen Sie, dass die Steckdose intakt ist, indem Sie ein anderes elektrisches Gerät einstecken. Kontrollieren Sie, falls möglich, die Sicherungen. Achten Sie darauf, dass die Tür korrekt geschlossen ist.

Falls Sie einen Defekt am Weinkühlschrank vermuten, müssen Sie den Stecker aus der Steckdose ziehen und die Vertriebsstelle kontaktieren. Jedwede Arbeit am Kältekreislauf muss von einem autorisierten Kältetechniker durchgeführt werden. Dieser Spezialist muss eine Inspektion der Kreislaufversiegelung vornehmen. Dementsprechend müssen alle Formen der Arbeit am elektrischen System von einem autorisierten Elektriker vorgenommen werden.

***Achtung:** Jedwede Arbeit, die von nicht-autorisierten Personen ausgeführt worden ist, kann dazu führen, dass die Garantie erlischt.*

STROMAUSFALL UND –UNTERBRECHUNGEN

Bei einem Stromausfall werden alle früheren Temperatureinstellungen automatisch gespeichert, und das System kehrt zur vorherigen Temperatureinstellung zurück.

Die meisten Stromfehler werden kurzfristig korrigiert. Ein ein- oder zweistündiger Stromausfall hat keinen Einfluss auf die Temperatur im Weinkühlschrank. Um eine plötzliche Temperaturänderung während der fehlenden Stromzufuhr zu vermeiden, wird empfohlen, die Tür nicht zu öffnen. Bei einem längerfristigen Stromausfall müssen Maßnahmen getroffen werden, um den Wein zu schützen.

ANLEITUNG ZUR FEHLERFINDUNG


Die meisten gewöhnlichen Probleme lassen sich leicht lösen, so dass Sie Kosten sparen können, die durch einen Serviceanruf entstehen würden. Lesen Sie bitte die Bedienungsanleitung gründlich durch und kommen Sie zur Anleitung zur Fehlerfindung zurück.

PROBLEM	MÖGLICHE URSACHE
Der Weinkühlschrank funktioniert nicht	Es ist kein Strom angeschlossen. Der Weinkühlschrank ist ausgeschaltet. Das Relais ist ausgeschaltet oder eine Sicherung ist defekt.
Der Weinkühlschrank kühlt nicht ausreichend.	Überprüfen Sie die Temperatureinstellung. Die Außenumgebung kann Anlass zu einer Änderung der Einstellungen geben. Die Tür wird zu häufig geöffnet. Die Tür ist nicht ganz geschlossen. Die Türdichtung ist nicht komplett dicht.
Zu häufiges Ein- und Ausschalten.	Die Raumtemperatur ist höher als gewöhnlich. Die Tür wird zu häufig geöffnet Die Tür ist nicht ganz geschlossen. Die Türdichtung ist nicht komplett dicht. Der Temperaturkontrolle ist nicht korrekt eingestellt.
Das Licht funktioniert nicht.	Es ist kein Strom angeschlossen. Der Weinkühlschrank ist ausgeschaltet. Das Relais ist ausgeschaltet oder eine Sicherung ist defekt. Die Lichtquelle ist kaputt. Das Licht ist am Display ausgeschaltet.
Vibrationen	Sorgen Sie dafür, dass der Weinkühlschrank optimal waagrecht und senkrecht ausgerichtet ist.
Der Weinkühlschrank scheint zu viele Geräusche zu verursachen.	Ein rasselndes Geräusch kann vom Zirkulieren des Kühlgases stammen, was völlig normal ist. Am Ende eines jeden Kühlzyklus können wegen der Kühlflüssigkeit im System gluckernde Geräusche auftreten. Knackende/schnalzende Geräusche - Folge des Zusammenziehens und Erweiterns des Kühlmittelgases, um Kälte zu produzieren. Der Weinkühlschrank steht nicht ganz waagrecht. Der Weinkühlschrank kann die Wärme wegen fehlender Belüftung nicht absondern und muss deshalb mehr arbeiten, um Kälte zu produzieren.
Die Tür schließt nicht richtig.	Der Weinkühlschrank steht nicht ganz waagrecht. Die Tür war nicht richtig montiert oder der Türanschlag war nicht korrekt. Fehler an der Dichtung der Tür (Magnet oder Gummi defekt). Die Regalböden sind nicht richtig eingesetzt und blockieren die Tür.

Standardfunktionen:
Kompressorbetrieben: R600a oder R134a
Mit folgenden Nennspannungen/Frequenzen erhältlich: 100V/50/60Hz, 220V/50/60Hz, 115V/50Hz
- Automatisches Auftauen
- Feuchtigkeit: 65% RH +/-10% RH
Schwarz von außen und Finish innen
- Innenbeleuchtung
- 4 verstellbare FüÙe
- Zweifach oder dreifach verglaste Tür
- Türrahmen aus nietenlosem Edelstahl-Finish oder komplett schwarze Glastür

Vor der Entsorgung des Geräts

1. Den Stecker aus der Steckdose ziehen.
2. Das Hauptkabel abschneiden und entsorgen

Correct disposal of this product	
	<p>This symbol on the product, or in its packaging, indicates that this product may not be treated as household waste. Instead, it should be taken to the appropriate waste collection point for the recycling of electrical and electronic equipment. By ensuring this product is disposed of correctly, you will help prevent potential negative consequences for the environment and human health, which could otherwise be caused by the inappropriate waste handling of this product. For more detailed information about the recycling of this product, please contact your local council, your household waste disposal service, or the shop where you purchased the product.</p>